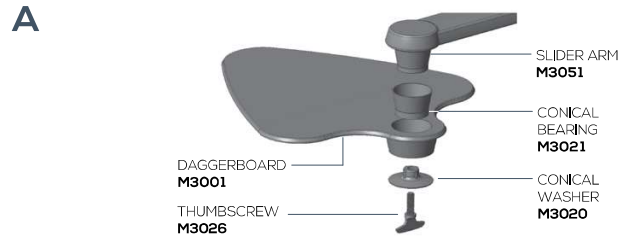
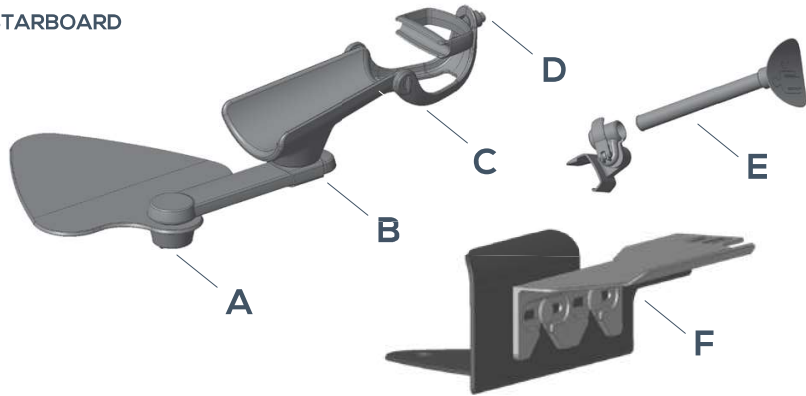


STARSYSTEM

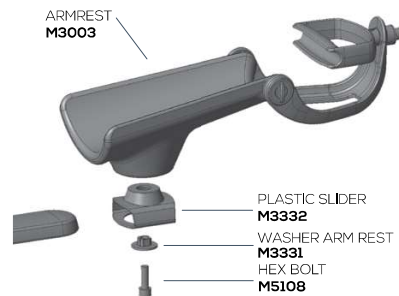
STARBOARD



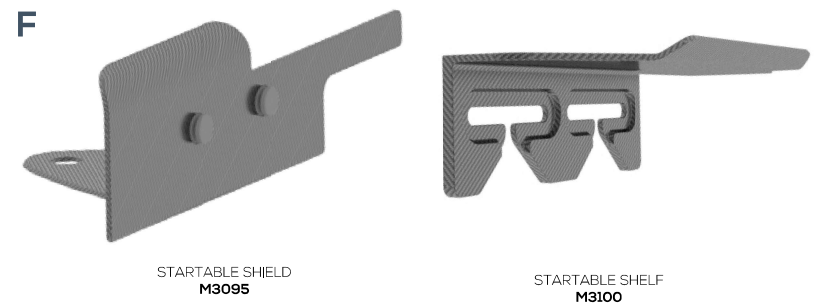
STARSUPPORT



B Tool required: 18mm Socket



STARTABLE



IR SYSTEM



STARBOARD (Refer to page 30-31)



EXTENSION TRAY
M3334



SHIELD
AM0630



DAGGERBOARD
M3677

OVERHEAD ARM SUPPORT



ARMREST WING
M5504

LOCKING LEG ASSEMBLY
M5505

OVERHEAD ARM
SUPPORT DAGGERBOARD
M5506



STRAP
AM0620

ARMSURE



ARM SUPPORT
M5109



ARM SUPPORT XR
M3087

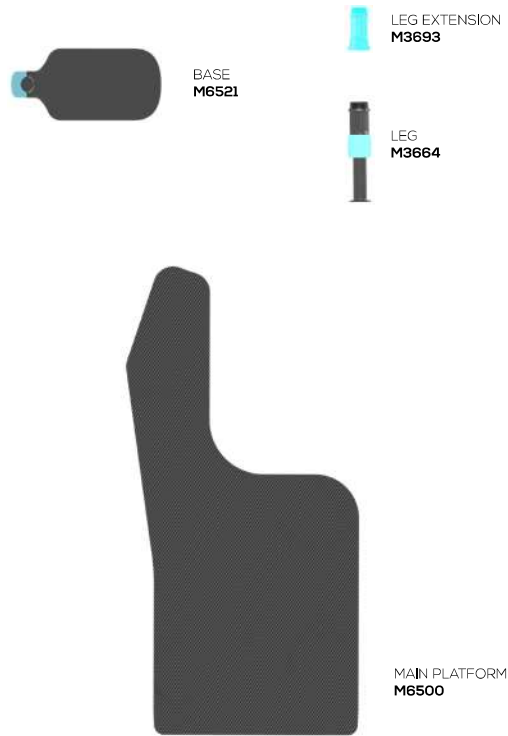


X-RAY SHIELD
AM0630



ARM STRAP
AM0620

ANTEGRADE IR PLATFORM



RETROGRADE IR PLATFORM

