

Solutions for the Healthcare Market



TSS SHELVING SYSTEMS:

SHELVING UNITS:
pages 3-15

BIN CART STORAGE:
page 16

MIXED USE CARTS:
pages 17-18

COMBO & CATHETER CARTS:
pages 19-20

**UTILITY & MATERIAL HANDLING
CARTS:** page 21-22

CART COVERS:
page 23

ACCESSORIES:
pages 24-30

TSS HD SYSTEM:
pages 31-32

SMARTCELL:
pages 33-40

SMARTCELL HD:
pages 41-44

BULK SHELVING:
pages 45-48

OUR BRANDS



North America's largest producer of shopping carts, material handling carts and various other wire and tubing products.



French Company provides retail equipment maintenance and repair as well as facility assessment and repair.

TECHNIBILT® SHELVING SYSTEMS

Technibilt Shelving Systems(TSS) provides storage, display and transport solutions for today's retail, industrial/commercial, foodservice and healthcare markets.

NEW PRODUCT



Built-in antimicrobial protection inhibits the growth of bacteria, mold and mildew on the shelf liners, providing a cleaner worksurface for various applications.



SmartCell delivers industry-leading open wire storage that allows for easy identification of materials. Quickly adjustable storage compartments increase the efficiency of both materials management and nursing staff alike.

TECHNIBILT SHELVING SYSTEM

Is Recognized For Quality And High Strength. All Welded Construction And Truss Configuration Adds Significant Strength Characteristics To Each Shelf Size.

NO TOOL ASSEMBLY

The assembly process is simplified with the Split Conical Adapters which snap into the grooves on the post. The shelf slips over the top surface securing the shelf and adapter to the post. 4 corner adapters are included with each shelf.

CAPACITIES

Weight Capacities Per Shelf (Evenly Distributed)

Length	Capacity	Length	Capacity
24" - 48"	850 Lbs.	60"	750 Lbs.
54"	800 Lbs.	72"	700 Lbs.

FINISHES

Chrome Plus (CH) - Our answer to high visibility and dry storage areas. The heavy nickel plate process features a hard chromium finish with special brighteners to enhance and increase the life of the shelving. This finish is a replacement for zinc and standard chrome products. (1 year warranty against rust - pro-rated)

Duro Seal (PW) - The process provides a metalized zinc chromate plating with a special formulated hard hybrid silver/gray finish which is bonded to the plated metal surface. Duro Seal can be used in high humidity storage applications such as walk-in coolers and freezers. (16 year warranty against rust - pro-rated)

Black (BLK) - The black powder coating is electrostatically applied to cold rolled steel, creating a light duty finish ideal for use in an office environment or retail point of purchase display.



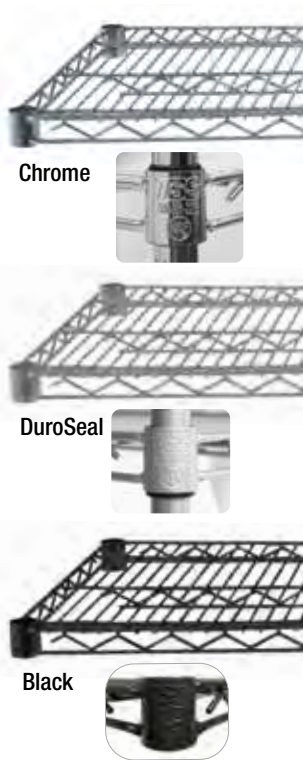
TECHNIBILT LAYOUT & DESIGN CAPABILITIES

Layout and design assistance is available for your large and small projects alike. Whether it be one cart/shelving unit or a new hospital construction project, we can support your design needs with 2-D and 3-D renderings. With your assistance, we'll develop a complete storage system centered around your storage requirements and workflow needs. We'll most effectively utilize the available space with the appropriate product mix consisting of:

- + Baskets
- + Hi-Density Mobile Track Systems
- + Wire Shelving
- + Wall Systems



WIRE SHELVES



W x L	Lbs	Chrome Plus	Duro-Seal	Black	W x L	Lbs	Chrome Plus	Duro-Seal
14" x 24"	6	1424CH	1424PW	1424BK	21" x 24"	8	2124CH	2124PW
14" x 30"	7	1430CH	1430PW		21" x 30"	9	2130CH	2130PW
14" x 36"	8	1436CH	1436PW	1436BK	21" x 36"	11	2136CH	2136PW
14" x 42"	10	1442CH	1442PW		21" x 42"	12	2142CH	2142PW
14" x 48"	11	1448CH	1448PW	1448BK	21" x 48"	14	2148CH	2148PW
14" x 60"	14	1460CH	1460PW	1460BK	21" x 54"	16	2154CH	2154PW
14" x 72"	17	1472CH	1472PW		21" x 60"	18	2160CH	2160PW
18" x 24"	7	1824CH	1824PW	1824BK	21" x 72"	24	2172CH	2172PW
18" x 30"	8	1830CH	1830PW		24" x 24"	9	2424CH	2424PW
18" x 36"	10	1836CH	1836PW	1836BK	24" x 30"	11	2430CH	2430PW
18" x 42"	11	1842CH	1842PW		24" x 36"	13	2436CH	2436PW
18" x 48"	14	1848CH	1848PW	1848BK	24" x 42"	15	2442CH	2442PW
18" x 54"	15	1854CH	1854PW		24" x 48"	16	2448CH	2448PW
18" x 60"	17	1860CH	1860PW	1860BK	24" x 54"	18	2454CH	2454PW
18" x 72"	20	1872CH	1872P		24" x 60"	21	2460CH	2460PW
					24" x 72"	26	2472CH	2472PW

W x L	Lbs	Chrome Plus	Duro-Seal
30" x 48"	22	3048CH	3048PW
30" x 60"	27	3060CH	3060PW

*Custom colors available on a per order basis

POSTS



W x L	Lbs	Chrome Plus	Duro-Seal	Black
14"	1	P14CH	P14PW	P14BK
27"	1.5	P27CH	P27PW	P27BK
34"	2	P34CH	P34PW	P34BK
43"	3	P43CH	P43PW	
54"	3.5	P54CH	P54PW	P54BK
63"	4	P63CH	P63PW	P63BK
74"	4.5	P74CH	P74PW	P74BK
86"	5.5	P86CH	P86PW	

Note - Special post lengths are available. They will be priced at the next higher length and will include an additional \$2.00 cut charge. Posts can also be joined together with a TRBCON (page 33) for lengths higher than 86". Posts higher than 86" should not be used with shelves less than 24" deep.

SOLID SHELVES

Part #	Dimensions	Lbs
SLD1824GV	18 x 24 Galvanized Shelf	11
SLD1836GV	18 x 36 Galvanized Shelf	16
SLD1848GV	18 x 48 Galvanized Shelf	20
SLD1860GV	18 x 60 Galvanized Shelf	24
SLD1872GV	18 x 72 Galvanized Shelf	27

Part #	Dimensions	Lbs
SLD2424GV	24 x 24 Galvanized Shelf	15
SLD2436GV	24 x 36 Galvanized Shelf	19
SLD2448GV	24 x 48 Galvanized Shelf	24
SLD2460GV	24 x 60 Galvanized Shelf	31
SLD2472GV	24 x 72 Galvanized Shelf	34



Solid Shelf Divider
D188CH-SLD/D248CH-SLD

ANTIMICROBIAL POLYMER SHELF COVER

Part #	Dimensions	Lbs
TG1824SCS	18" X 24"	8
TG1836SCS	18" X 36"	11
TG1848SCS	18" X 48"	15
TG1860SCS	18" X 60"	18
TG1872SCS	18" X 72"	21

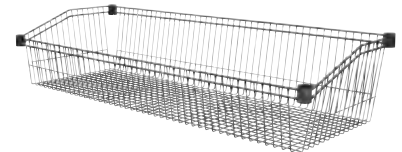
Part #	Dimensions	Lbs
TG2424SCS	24" X 24"	10
TG2436SCS	24" X 36"	14
TG2448SCS	24" X 48"	17
TG2460SCS	24" X 60"	22
TG2472SCS	24" X 72"	27



BASKET SHELVES

Part #	Dimensions	Lbs
BSK1824CH	18" X 24"	10
BSK1836CH	18" x 36"	15
BSK1848CH	18" x 48"	20
BSK1860CH	18" x 60"	25

Part #	Dimensions	Lbs
BSK2424CH	24" x 24"	14
BSK2436CH	24" x 36"	19
BSK2448CH	24" x 48"	24
BSK2460CH	24" x 60"	29



Basket Shelf Divider
DV1810/DV2410

SLOPED SHELVES



Part #	Dimensions	Lbs
SL1824CH	18" x 24"	7
SL1836CH	18" x 36"	10
SL1848CH	18" x 48"	13



Suture Divider
Page: SL-DV

DOUBLE SIDED SLOPED SHELVES



Part #	Dimensions	Lbs
STR24	24" X 24"	5
STR36	24" X 36"	7
STR48	24" X 48"	9



Double Suture Shelf Divider
Page: STR-DV

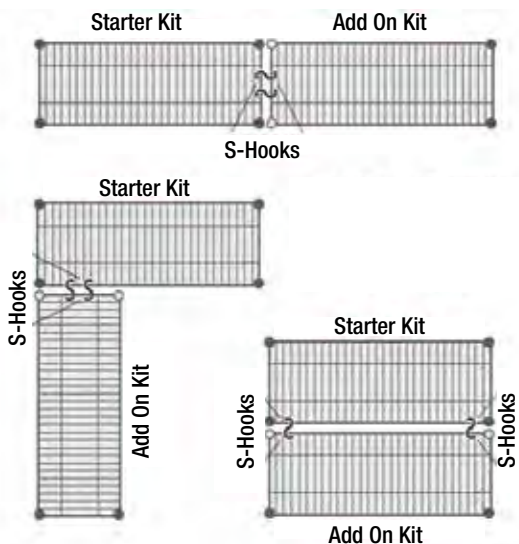
STARTER UNIT & ADD-ON UNIT - 4 SHELF



63" Height

W x L x H	Starter Wt. (lbs)	Add-On Wt. (lbs)	Chrome Plus Starter	Duro-Seal Starter	Chrome Plus Add-on	Duro-Seal Add-on
18" x 24" x 63"	42	35	816CH	816PW	A816CH	A816PW
18" x 30" x 63"	47	40	826CH	826PW	A826CH	A826PW
18" x 36" x 63"	53	46	836CH	836PW	A836CH	A836PW
18" x 42" x 63"	57	50	846CH	846PW	A846CH	A846PW
18" x 48" x 63"	63	56	856CH	856PW	A856CH	A856PW
18" x 60" x 63"	82	75	866CH	866PW	A866CH	A866PW
18" x 72" x 63"	94	89	876CH	876PW	A876CH	A876PW
21" x 24" x 63"	46	39	116CH	116PW	A116CH	A116PW
21" x 30" x 63"	52	45	126CH	126PW	A126CH	A126PW
21" x 36" x 63"	59	52	136CH	136PW	A136CH	A136PW
21" x 42" x 63"	65	58	146CH	146PW	A146CH	A146PW
21" x 48" x 63"	71	64	156CH	156PW	A156CH	A156PW
21" x 60" x 63"	88	81	166CH	166PW	A166CH	A166PW
21" x 72" x 63"	98	92	176CH	176PW	A176CH	A176PW
24" x 24" x 63"	50	43	416CH	416PW	A416CH	A416PW
24" x 30" x 63"	57	50	426CH	426PW	A426CH	A426PW
24" x 36" x 63"	65	58	436CH	436PW	A436CH	A436PW
24" x 42" x 63"	72	65	446CH	446PW	A446CH	A446PW
24" x 48" x 63"	79	72	456CH	456PW	A456CH	A456PW
24" x 60" x 63"	98	91	466CH	466PW	A466CH	A466PW
24" x 72" x 63"	120	113	476CH	476PW	A476CH	A476PW

WIRE SHELVING ADD-ON LAYOUT OPTIONS



74" Height

W x L x H	Starter Wt. (lbs)	Add-On Wt. (lbs)	Chrome Plus Starter	Duro-Seal Starter	Chrome Plus Add-on	Duro-Seal Add-on
18" x 24" x 74"	44	36	817CH	817PW	A817CH	A817PW
18" x 30" x 74"	50	42	827CH	827PW	A827CH	A827PW
18" x 36" x 74"	56	48	837CH	837PW	A837CH	A837PW
18" x 42" x 74"	64	51	847CH	847PW	A847CH	A847PW
18" x 48" x 74"	66	53	857CH	857PW	A857CH	A857PW
18" x 60" x 74"	85	76	867CH	867PW	A867CH	A867PW
18" x 72" x 74"	97	88	877CH	877PW	A877CH	A877PW
21" x 24" x 74"	49	40	117CH	117PW	A117CH	A117PW
21" x 30" x 74"	55	47	127CH	127PW	A127CH	A127PW
21" x 36" x 74"	62	54	137CH	137PW	A137CH	A137PW
21" x 42" x 74"	69	61	147CH	147PW	A147CH	A147PW
21" x 48" x 74"	74	66	157CH	157PW	A157CH	A157PW
21" x 60" x 74"	91	83	167CH	167PW	A167CH	A167PW
21" x 72" x 74"	98	89	177CH	177PW	A177CH	A177PW
24" x 24" x 74"	53	44	417CH	417PW	A417CH	A417PW
24" x 30" x 74"	60	51	427CH	427PW	A427CH	A427PW
24" x 36" x 74"	68	60	437CH	437PW	A437CH	A437PW
24" x 42" x 74"	74	66	447CH	447PW	A447CH	A447PW
24" x 48" x 74"	88	74	457CH	457PW	A457CH	A457PW
24" x 60" x 74"	101	92	467CH	467PW	A467CH	A467PW
24" x 72" x 74"	123	115	477CH	477PW	A477CH	A477PW

74" Height

W x L x H	Starter Wt.(lbs)	Add-On Wt.(lbs)	Chrome Plus Starter	Duro-Seal Starter	Chrome Plus Add-on	Duro-Seal Add-on
18" x 24" x 74"	49	41	815CH	815PW	A815CH	A815PW
18" x 30" x 74"	55	47	825CH	825PW	A825CH	A825PW
18" x 36" x 74"	63	55	835CH	835PW	A835CH	A835PW
18" x 42" x 74"	68	60	845CH	845PW	A845CH	A845PW
18" x 48" x 74"	77	69	855CH	855PW	A855CH	A855PW
18" x 60" x 74"	99	91	865CH	865PW	A865CH	A865PW
18" x 72" x 74"	114	106	875CH	875PW	A875CH	A875PW
21" x 24" x 74"	54	46	115CH	115PW	A115CH	A115PW
21" x 30" x 74"	61	53	125CH	125PW	A125CH	A125PW
21" x 36" x 74"	70	62	135CH	135PW	A135CH	A135PW
21" x 42" x 74"	77	69	145CH	145PW	A145CH	A145PW
21" x 48" x 74"	85	77	155CH	155PW	A155CH	A155PW
21" x 60" x 74"	106	98	165CH	165PW	A165CH	A165PW
21" x 72" x 74"	122	114	175CH	175PW	A175CH	A175PW
24" x 24" x 74"	59	51	415CH	415PW	A415CH	A415PW
24" x 30" x 74"	68	60	425CH	425PW	A425CH	A425PW
24" x 36" x 74"	78	70	435CH	435PW	A435CH	A435PW
24" x 42" x 74"	87	79	445CH	445PW	A445CH	A445PW
24" x 48" x 74"	95	87	455CH	455PW	A455CH	A455PW
24" x 60" x 74"	119	111	465CH	465PW	A465CH	A465PW
24" x 72" x 74"	146	138	475CH	475PW	A475CH	A475PW

STARTER UNIT & ADD-ON UNIT 5 SHELF



86" Height

W x L x H	Starter Wt.(lbs)	Add-On Wt.(lbs)	Chrome Plus Starter	Duro-Seal Starter	Chrome Plus Add-on	Duro-Seal Add-on
18" x 24" x 86"	55	45	818CH	818PW	A818CH	A818PW
18" x 30" x 86"	62	52	828CH	828PW	A828CH	A828PW
18" x 36" x 86"	69	59	838CH	838PW	A838CH	A838PW
18" x 42" x 86"	74	64	848CH	848PW	A848CH	A848PW
18" x 48" x 86"	88	72	858CH	858PW	A858CH	A858PW
18" x 60" x 86"	106	95	868CH	868PW	A868CH	A868PW
18" x 72" x 86"	121	110	878CH	878PW	A878CH	A878PW
21" x 24" x 86"	61	50	118CH	118PW	A118CH	A118PW
21" x 30" x 86"	68	58	128CH	128PW	A128CH	A128PW
21" x 36" x 86"	77	67	138CH	138PW	A138CH	A138PW
21" x 42" x 86"	85	75	148CH	148PW	A148CH	A148PW
21" x 48" x 86"	92	82	158CH	158PW	A158CH	A158PW
21" x 60" x 86"	113	103	168CH	168PW	A168CH	A168PW
21" x 72" x 86"	126	115	178CH	178PW	A178CH	A178PW
24" x 24" x 86"	66	55	418CH	418PW	A418CH	A418PW
24" x 30" x 86"	75	64	428CH	428PW	A428CH	A428PW
24" x 36" x 86"	85	75	438CH	438PW	A438CH	A438PW
24" x 42" x 86"	93	83	448CH	448PW	A448CH	A448PW
24" x 48" x 86"	102	92	458CH	458PW	A458CH	A458PW
24" x 60" x 86"	126	115	468CH	468PW	A468CH	A468PW
24" x 72" x 86"	153	143	478CH	478PW	A478CH	A478PW

EASY ASSEMBLY & ADJUSTMENTS



1. Snap plastic sleeve around post



2. Slide shelf over sleeve for secure locking



3. Two "S-Hooks" per shelf are required to connect add-on units to starter units

MB SERIES

4 Shelf

Part #	Dimensions	Lbs
MB836CH	18" x 36" x 69"	63
MB856CH	18" x 48" x 69"	73
MB866CH	18" x 60" x 69"	92
MB436CH	24" x 36" x 69"	75
MB456CH	24" x 48" x 69"	89
MB466CH	24" x 60" x 69"	108
MB837CH	18" x 36" x 80"	66
MB857CH	18" x 48" x 80"	76
MB867CH	18" x 60" x 80"	95
MB437CH	24" x 36" x 80"	78
MB457CH	24" x 48" x 80"	98
MB467CH	24" x 60" x 80"	111

5 Shelf

Part #	Dimensions	Lbs
MB836CH-5	18" x 36" x 69"	66
MB856CH-5	18" x 48" x 69"	76
MB866CH-5	18" x 60" x 69"	95
MB436CH-5	24" x 36" x 69"	78
MB456CH-5	24" x 48" x 69"	98
MB466CH-5	24" x 60" x 69"	111
MB835CH	18" x 36" x 80"	63
MB855CH	18" x 48" x 80"	73
MB865CH	18" x 60" x 80"	92
MB435CH	24" x 36" x 80"	75
MB455CH	24" x 48" x 80"	89
MB465CH	24" x 60" x 80"	108



- 4 or 5 Wire shelves and split sleeve adapters.
- 4 Posts – available in 63" or 74".
- 5" Non-marking swivel casters, 2 with total lock brakes.
- 4 Donut bumpers to prevent damage to walls and other equipment.
- Load capacity up to 1,200 lbs.
- See pages 23-30 for a full line of accessories.
- Additional shelves page 4-5

ME SERIES

4 Shelf

Part #	Dimensions	Lbs
ME836CH	18" X 36" X 69"	90
ME856CH	18" X 48" X 69"	104
ME866CH	18" X 60" X 69"	130
ME436CH	24" X 36" X 69"	108
ME456CH	24" X 48" X 69"	124
ME466CH	24" X 60" X 69"	150
ME837CH	18" X 36" X 80"	106
ME857CH	18" X 48" X 80"	124
ME867CH	18" X 60" X 80"	150
ME437CH	24" X 36" X 80"	126
ME457CH	24" X 48" X 80"	154
ME467CH	24" X 60" X 80"	174

5 Shelf

Part #	Dimensions	Lbs
ME836CH-5	18" X 36" X 69"	100
ME856CH-5	18" X 48" X 69"	116
ME866CH-5	18" X 60" X 69"	147
ME436CH-5	24" X 36" X 69"	121
ME456CH-5	24" X 48" X 69"	140
ME466CH-5	24" X 60" X 69"	171
ME835CH	18" X 36" X 80"	115
ME855CH	18" X 48" X 80"	136
ME865CH	18" X 60" X 80"	167
ME435CH	24" X 36" X 80"	139
ME455CH	24" X 48" X 80"	164
ME465CH	24" X 60" X 80"	195



- 4 or 5 Wire shelves and split sleeve adapters.
- 4 Posts – available in 63" or 74".
- 5" Non-marking swivel casters, 2 with total lock brakes.
- 2 End screens and 1 back screen with screen clips.
- 4 Donut bumpers to prevent damage to walls and other equipment.
- Load capacity up to 1,200 lbs.
- See pages 23-30 for a full line of accessories.
- Additional shelves page 4-5

MD SERIES



4 Shelf

Part #	Dimensions	Lbs
MD836CH	18" X 36" X 70"	73
MD856CH	18" X 48" X 70"	85
MD866CH	18" X 60" X 70"	106
MD436CH	24" X 36" X 70"	88
MD456CH	24" X 48" X 70"	104
MD466CH	24" X 60" X 70"	126
MD837CH	18" X 36" X 81"	85
MD857CH	18" X 48" X 81"	100
MD867CH	18" X 60" X 81"	126
MD437CH	24" X 36" X 81"	104
MD457CH	24" X 48" X 81"	123
MD467CH	24" X 60" X 81"	150

5 Shelf

Part #	Dimensions	Lbs
MD836CH-5	18" X 36" X 70"	83
MD856CH-5	18" X 48" X 70"	97
MD866CH-5	18" X 60" X 70"	123
MD436CH-5	24" X 36" X 70"	101
MD456CH-5	24" X 48" X 70"	120
MD466CH-5	24" X 60" X 70"	147
MD835CH	18" X 36" X 81"	85
MD855CH	18" X 48" X 81"	100
MD865CH	18" X 60" X 81"	126
MD435CH	24" X 36" X 81"	104
MD455CH	24" X 48" X 81"	123
MD465CH	24" X 60" X 81"	150

- 4 or 5 Wire shelves and split sleeve adapters.
- 4 Posts – available in 63" or 74".
- 5" Non-marking swivel casters, 2 with total lock brakes. (larger casters available)
- Dolly base for added strength and stability (includes corner bumpers)

- Load capacity up to 2,000 lbs.
- See pages 23-30 for a full line of accessories.
- Additional shelves page 4-5

MED SERIES



4 Shelf

Part #	Dimensions	Lbs
MED836CH	18" X 36" X 70"	100
MED856CH	18" X 48" X 70"	116
MED866CH	18" X 60" X 70"	144
MED436CH	24" X 36" X 70"	121
MED456CH	24" X 48" X 70"	139
MED466CH	24" X 60" X 70"	168
MED837CH	18" X 36" X 81"	116
MED857CH	18" X 48" X 81"	136
MED867CH	18" X 60" X 81"	164
MED437CH	24" X 36" X 81"	139
MED457CH	24" X 48" X 81"	169
MED467CH	24" X 60" X 81"	192

5 Shelf

Part #	Dimensions	Lbs
MED836CH-5	18" X 36" X 70"	110
MED856CH-5	18" X 48" X 70"	128
MED866CH-5	18" X 60" X 70"	161
MED436CH-5	24" X 36" X 70"	134
MED456CH-5	24" X 48" X 70"	155
MED466CH-5	24" X 60" X 70"	189
MED835CH	18" X 36" X 81"	125
MED855CH	18" X 48" X 81"	148
MED865CH	18" X 60" X 81"	181
MED435CH	24" X 36" X 81"	152
MED455CH	24" X 48" X 81"	179
MED465CH	24" X 60" X 81"	213

- 4 or 5 Wire shelves and split sleeve adapters.
- 4 Posts – available in 63" or 74".
- 5" Non-marking swivel casters, 2 with total lock brakes. (larger casters available)
- 2 End screens and 1 back screen with screen clips.

- Dolly base for added strength and stability (includes corner bumpers)
- Load capacity up to 2,000 lbs.
- See pages 23-30 for a full line of accessories.
- Additional shelves page 4-5

M-SD SERIES

4 Shelf

Part #	Dimensions	Lbs
M-SD836CH	18" X 36" X 69"	67
M-SD856CH	18" X 48" X 69"	77
M-SD866CH	18" X 60" X 69"	96
M-SD436CH	24" X 36" X 69"	79
M-SD456CH	24" X 48" X 69"	93
M-SD466CH	24" X 60" X 69"	112
M-SD837CH	18" X 36" X 80"	70
M-SD857CH	18" X 48" X 80"	80
M-SD867CH	18" X 60" X 80"	99
M-SD437CH	24" X 36" X 80"	82
M-SD457CH	24" X 48" X 80"	102
M-SD467CH	24" X 60" X 80"	115

5 Shelf

Part #	Dimensions	Lbs
M-SD836CH-5	18" X 36" X 69"	77
M-SD856CH-5	18" X 48" X 69"	89
M-SD866CH-5	18" X 60" X 69"	113
M-SD436CH-5	24" X 36" X 69"	92
M-SD456CH-5	24" X 48" X 69"	109
M-SD466CH-5	24" X 60" X 69"	133
M-SD835CH	18" X 36" X 80"	79
M-SD855CH	18" X 48" X 80"	92
M-SD865CH	18" X 60" X 80"	116
M-SD435CH	24" X 36" X 80"	95
M-SD455CH	24" X 48" X 80"	112
M-SD465CH	24" X 60" X 80"	136



- 3 or 4 Wire shelves, 1 solid bottom shelf and split sleeve adapters.
- 4 Posts – available in 63" or 74".
- 5" Non-marking swivel casters, 2 with total lock brakes.
- 4 Donut bumpers to prevent damage to walls and other equipment
- Load capacity up to 1,200 lbs.
- See pages 23-30 for a full line of accessories.
- Additional shelves page 4-5

ME-SD SERIES

4 Shelf

Part #	Dimensions	Lbs
ME-SD836CH	18" X 36" X 69"	96
ME-SD856CH	18" X 48" X 69"	112
ME-SD866CH	18" X 60" X 69"	137
ME-SD436CH	24" X 36" X 69"	114
ME-SD456CH	24" X 48" X 69"	132
ME-SD466CH	24" X 60" X 69"	160
ME-SD837CH	18" X 36" X 80"	112
ME-SD857CH	18" X 48" X 80"	132
ME-SD867CH	18" X 60" X 80"	157
ME-SD437CH	24" X 36" X 80"	132
ME-SD457CH	24" X 48" X 80"	162
ME-SD467CH	24" X 60" X 80"	184

5 Shelf

Part #	Dimensions	Lbs
ME-SD836CH-5	18" X 36" X 69"	106
ME-SD856CH-5	18" X 48" X 69"	124
ME-SD866CH-5	18" X 60" X 69"	154
ME-SD436CH-5	24" X 36" X 69"	127
ME-SD456CH-5	24" X 48" X 69"	148
ME-SD466CH-5	24" X 60" X 69"	181
ME-SD835CH	18" X 36" X 80"	121
ME-SD855CH	18" X 48" X 80"	144
ME-SD865CH	18" X 60" X 80"	174
ME-SD435CH	24" X 36" X 80"	145
ME-SD455CH	24" X 48" X 80"	172
ME-SD465CH	24" X 60" X 80"	205



- 4 or 5 Wire shelves, 1 solid bottom shelf and split sleeve adapters.
- 4 Posts – available in 63" or 74".
- 5" Non-marking swivel casters, 2 with total lock brakes.
- 2 End screens and 1 back screen with screen clips.
- 4 Donut bumpers to prevent damage to walls and other equipment.
- Load capacity up to 1,200 lbs.
- See pages 23-30 for a full line of accessories.
- Additional shelves page 4-5

MED-SD SERIES



4 Shelf

Part #	Dimensions	Lbs
MED-SD836CH	18" X 36" X 70"	106
MED-SD856CH	18" X 48" X 70"	124
MED-SD866CH	18" X 60" X 70"	151
MED-SD436CH	24" X 36" X 70"	127
MED-SD456CH	24" X 48" X 70"	147
MED-SD466CH	24" X 60" X 70"	178
MED-SD837CH	18" X 36" X 81"	122
MED-SD857CH	18" X 48" X 81"	144
MED-SD867CH	18" X 60" X 81"	171
MED-SD437CH	24" X 36" X 81"	145
MED-SD457CH	24" X 48" X 81"	177
MED-SD467CH	24" X 60" X 81"	202

5 Shelf

Part #	Dimensions	Lbs
MED-SD836CH-5	18" X 36" X 70"	116
MED-SD856CH-5	18" X 48" X 70"	136
MED-SD866CH-5	18" X 60" X 70"	168
MED-SD436CH-5	24" X 36" X 70"	140
MED-SD456CH-5	24" X 48" X 70"	163
MED-SD466CH-5	24" X 60" X 70"	199
MED-SD835CH	18" X 36" X 81"	131
MED-SD855CH	18" X 48" X 81"	156
MED-SD865CH	18" X 60" X 81"	188
MED-SD435CH	24" X 36" X 81"	158
MED-SD455CH	24" X 48" X 81"	187
MED-SD465CH	24" X 60" X 81"	223

- 3 or 4 Wire shelves, 1 solid bottom shelf and split sleeve adapters.
- 4 Posts – available in 63" or 74".
- 5" Non-marking swivel casters, 2 with total lock brakes. (larger casters available)
- Dolly base for added strength and stability (includes corner bumpers)
- Load capacity up to 2,000 lbs.
- See pages 23-30 for a full line of accessories.
- Additional shelves page 4-5

MB SOLID SERIES



4 Shelf

Part #	Dimensions	Lbs
MB816SLD	18" X 24" X 69"	62
MB836SLD	18" X 36" X 69"	82
MB856SLD	18" X 48" X 69"	98
MB866SLD	18" X 60" X 69"	114
MB876SLD	18" X 72" X 69"	126
MB416SLD	24" X 24" X 69	74
MB436SLD	24" X 36" X 69"	94
MB456SLD	24" X 48" X 69"	114
MB466SLD	24" X 60" X 69"	142
MB476SLD	24" X 72" X 69"	154
MB817SLD	18" X 24" X 80"	73
MB837SLD	18" X 36" X 80"	84
MB857SLD	18" X 48" X 80"	100
MB867SLD	18" X 60" X 80"	116
MB877SLD	18" X 72" X 80"	128
MB417SLD	24" X 24" X 80"	76
MB437SLD	24" X 36" X 80"	96
MB457SLD	24" X 48" X 80"	116
MB467SLD	24" X 60" X 80"	144
MB477SLD	24" X 72" X 80"	156

5 Shelf

Part #	Dimensions	Lbs
MB816SLD-5	18" X 24" X 69"	73
MB836SLD-5	18" X 36" X 69"	98
MB856SLD-5	18" X 48" X 69"	118
MB866SLD-5	18" X 60" X 69"	138
MB876SLD-5	18" X 72" X 69"	165
MB416SLD-5	24" X 24" X 69"	89
MB436SLD-5	24" X 36" X 69"	113
MB456SLD-5	24" X 48" X 69"	138
MB466SLD-5	24" X 60" X 69"	173
MB476SLD-5	24" X 72" X 69"	188
MB815SLD	18" X 24" X 80"	84
MB835SLD	18" X 36" X 80"	100
MB855SLD	18" X 48" X 80"	120
MB865SLD	18" X 60" X 80"	140
MB875SLD	18" X 72" X 80"	155
MB415SLD	24" X 24" X 80"	91
MB435SLD	24" X 36" X 80"	115
MB455SLD	24" X 48" X 80"	140
MB465SLD	24" X 60" X 80"	175
MB475SLD	24" X 72" X 80"	190

- 4 or 5 Solid galvanized shelves.
- 4 Posts – available in 63" or 74".
- 5" Non-marking swivel casters, 2 with total lock brakes.
- 4 Donut bumpers to prevent damage to walls and other equipment.
- Load capacity up to 1,200 lbs.
- See pages 23-30 for a full line of accessories.
- Additional shelves page 4-5

SOLID SHELVING

4 Shelf

Part #	Dimensions	Lbs
816SLD	18" X 24" X 63"	54
836SLD	18" X 36" X 63"	74
856SLD	18" X 48" X 63"	90
866SLD	18" X 60" X 63"	106
876SLD	18" X 72" X 63"	118
416SLD	24" X 24" X 63"	66
436SLD	24" X 36" X 63"	86
456SLD	24" X 48" X 63"	106
466SLD	24" X 60" X 63"	134
476SLD	24" X 72" X 63"	146
817SLD	18" X 24" X 74"	65
837SLD	18" X 36" X 74"	76
857SLD	18" X 48" X 74"	92
867SLD	18" X 60" X 74"	108
877SLD	18" X 72" X 74"	120
417SLD	24" X 24" X 74"	68
437SLD	24" X 36" X 74"	88
457SLD	24" X 48" X 74"	108
467SLD	24" X 60" X 74"	136
477SLD	24" X 72" X 74"	148

5 Shelf

Part #	Dimensions	Lbs
816SLD-5	18" X 24" X 63"	65
836SLD-5	18" X 36" X 63"	90
856SLD-5	18" X 48" X 63"	110
866SLD-5	18" X 60" X 63"	130
876SLD-5	18" X 72" X 63"	157
416SLD-5	24" X 24" X 63"	81
436SLD-5	24" X 36" X 63"	105
456SLD-5	24" X 48" X 63"	130
466SLD-5	24" X 60" X 63"	165
476SLD-5	24" X 72" X 63"	180
815SLD	18" X 24" X 74"	76
835SLD	18" X 36" X 74"	92
855SLD	18" X 48" X 74"	112
865SLD	18" X 60" X 74"	132
875SLD	18" X 72" X 74"	147
415SLD	24" X 24" X 74"	83
435SLD	24" X 36" X 74"	107
455SLD	24" X 48" X 74"	132
465SLD	24" X 60" X 74"	167
475SLD	24" X 72" X 74"	182



TECHNIGUARD TECHNOLOGY INHIBITS THE GROWTH OF MICROBIAL BACTERIA ON OUR SHELF LINERS

24/7 ANTIMICROBIAL PRODUCT PROTECTION PROVEN SAFE TO USE

4 Shelf

Part #	Dimensions	Lbs
816TG	18" X 24" X 63"	42
836TG	18" X 36" X 63"	53
856TG	18" X 48" X 63"	63
866TG	18" X 60" X 63"	82
876TG	18" X 72" X 63"	94
416TG	24" X 24" X 63"	50
436TG	24" X 36" X 63"	65
456TG	24" X 48" X 63"	79
466TG	24" X 60" X 63"	98
476TG	24" X 72" X 63"	120
817TG	18" X 24" X 74"	44
837TG	18" X 36" X 74"	56
857TG	18" X 48" X 74"	66
867TG	18" X 60" X 74"	85
877TG	18" X 72" X 74"	97
417TG	24" X 24" X 74"	53
437TG	24" X 36" X 74"	68
457TG	24" X 48" X 74"	88
467TG	24" X 60" X 74"	101
477TG	24" X 72" X 74"	123

5 Shelf

Part #	Dimensions	Lbs
816TG-5	18" X 24" X 63"	47
836TG-5	18" X 36" X 63"	53
856TG-5	18" X 48" X 63"	75
866TG-5	18" X 60" X 63"	97
876TG-5	18" X 72" X 63"	114
416TG-5	24" X 24" X 63"	57
436TG-5	24" X 36" X 63"	76
456TG-5	24" X 48" X 63"	93
466TG-5	24" X 60" X 63"	117
476TG-5	24" X 72" X 63"	144
815TG	18" X 24" X 74"	49
835TG	18" X 36" X 74"	63
855TG	18" X 48" X 74"	77
865TG	18" X 60" X 74"	99
875TG	18" X 72" X 74"	117
415TG	24" X 24" X 74"	59
435TG	24" X 36" X 74"	78
455TG	24" X 48" X 74"	95
465TG	24" X 60" X 74"	119
475TG	24" X 72" X 74"	146



- 12" SNAP ON SECTIONS

MBSK UNITS



4 Baskets

Part #	Dimensions	Lbs
MBSK1824CH	18" X 24" X 69"	71
MBSK1836CH	18" X 36" X 69"	93.5
MBSK1848CH	18" X 48" X 69"	116
MBSK1860CH	18" X 60" X 69"	141
MBSK2436CH	24" x 36" x 69"	109.5
MBSK2448CH	24" x 48" x 69"	132
MBSK2460CH	24" x 60" x 69"	157

5 Baskets

Part #	Dimensions	Lbs
MBSK1824CH-5	18" X 24" X 80"	81
MBSK1836CH-5	18" X 36" X 80"	108.5
MBSK1848CH-5	18" X 48" X 80"	136
MBSK1860CH-5	18" X 60" X 80"	166
MBSK2436CH-5	24" x 36" x 80"	128
MBSK2448CH-5	24" x 48" x 80"	152
MBSK2460CH-5	24" x 60" x 80"	177



DV1810/DV2410

Adjustable at 1" increments and can be utilized with shelves and other accessories to create a custom storage unit. Shallow hopper front allows for easy access to items. Dividers can be added (adjust horizontally) to house various sizes of IV solution bags and other materials. Accessories on page 23-30.

MBSK UNITS WITH SOLID BASE



4 Baskets

Part #	Dimensions	Lbs
MBSK1836CH.SLD	18 x 36 x 69"	109.5
MBSK1848CH.SLD	18 x 48 x 69"	136
MBSK1860CH.SLD	18 x 60 x 69"	165
MBSK2436CH.SLD	24" x 36" x 69"	128.5
MBSK2448CH.SLD	24" x 48" x 69"	156
MBSK2460CH.SLD	24" x 60" x 69"	188

5 Baskets

Part #	Dimensions	Lbs
MBSK1836CH-5-SLD	18" x 36" x 80"	124.5
MBSK1848CH-5-SLD	18" x 48" x 80"	156
MBSK1860CH-5-SLD	18" x 60" x 80"	190
MBSK2436CH-5-SLD	24" x 36" x 80"	147.5
MBSK2448CH-5-SLD	24" x 48" x 80"	176
MBSK2460CH-5-SLD	24" x 60" x 80"	208



DV1810/DV2410

Increase infection control and aseptic practices with the addition of a solid bottom shelf.

COMBO BASKET UNITS



18"

Part #	Dimensions	Lbs
82B6S2-80	18 X 24 X 80	88
83B6S2-80	18 X 36 X 80	116
84B6S2-80	18 X 48 X 80	160
86B6S2-80	18 X 60 X 80	178
82B4S3-80	18 X 24 X 80	75
83B4S3-80	18 X 36 X 80	96
84B4S3-80	18 X 48 X 80	134
86B4S3-80	18 X 60 X 80	145
82B5S2-80	18 X 24 X 80	78
83B5S2-80	18 X 36 X 80	101
84B5S2-80	18 X 48 X 80	140
86B5S2-80	18 X 60 X 80	153

24"

Part #	Dimensions	Lbs
22B6S2-80	24 X 24 X 80	92
23B6S2-80	24 X 36 X 80	120
24B6S2-80	24 X 48 X 80	164
26B6S2-80	24 X 60 X 80	182
22B4S3-80	24 X 24 X 80	79
23B4S3-80	24 X 36 X 80	100
24B4S3-80	24 X 48 X 80	138
26B4S3-80	24 X 60 X 80	149
22B5S2-80	24 X 24 X 80	82
23B5S2-80	24 X 36 X 80	105
24B5S2-80	24 X 48 X 80	144
26B5S2-80	24 X 60 X 80	157

FIRST NUMBER: Unit Depth **SECOND NUMBER:** Unit Width
THIRD NUMBER: Basket Count **FOURTH NUMBER:** Shelf Count

With our combo basket units, numerous configurations are available. See below for further information. See pages 23-29 for additional accessories.



DOUBLE-SIDED/SLOPED SHELF SUTURE CARTS



Part #	Dimensions	Lbs
STR424	24" X 24" X 69"	71
STR436	24" X 36" X 69"	84
STR448	24" X 48" X 69"	95

Part #	Dimensions	Lbs
STR524	24" X 24" X 69"	71
STR536	24" X 36" X 69"	84
STR548	24" X 48" X 69"	95



STR-DV

Similar to our single-sided sloped shelf, the double sided sloped shelf offers easily accessible storage. These units are ideal for high density applications, since both sides of the unit are accessible.

SLOPED SHELF SUTURE CARTS



Part #	Dimensions	Lbs
SL424	18" x 24" x 69"	52
SL436	18" x 36" x 69"	64
SL448	18" x 48" x 69"	76

Part #	Dimensions	Lbs
SL524	18" x 24" x 69"	59
SL536	18" x 36" x 69"	74
SL548	18" x 48" x 69"	89



Offer an easily identifiable and accessible storage solution. Simplifies the replenishment process, in PAR level and KanBan systems.

BINS CART STORAGE

These carts utilize a combination of wire shelves and/or plastic bins to provide a variety of storage solutions.



Part #	Dimensions	Lbs
ORVTU	24" X 72" X 69"	265



Part #	Dimensions	Lbs
DRAW-14	24" X 42" X 69"	130



Part #	Dimensions	Lbs
CVTU60	24" X 60" X 69"	201
CVTU72	24" X 72" X 69"	235



Part #	Dimensions	Lbs
DRAW	24" X 24" X 69"	84



Part #	Dimensions	Lbs
DRAW-4	24" X 24" X 49"	58



TOTES & DIVIDERS

Slide-in dividers allow for instant, custom bin configuration. Various colors available.

PART #	DIMENSIONS
DV17	15.5" x 5.5"
DV22	20.5" x 5.5"
TB40	17.25" x 22.25" x 6

Security cages are an ideal method for storing and transferring costly materials and items subject to pilferage. Open wire construction (2" x 2") allows for visibility into the unit, so items can be checked at any time. Casters can be added for mobile applications. A dolly base and plate casters are available for heavy-duty transport applications.

STATIONARY SECURITY CAGES - WIRE SHELVES



Part #	Dimensions	Lbs
SEC363F	24X36X60 3 SHF TSS	216
SEC364F	24X36X60 4 SHF TSS	228
SEC365F	24X36X60 5 SHF TSS	240

Part #	Dimensions	Lbs
SEC603F	24X60X60 3 SHF TSS	296
SEC604F	24X60X60 4 SHF TSS	315
SEC605F	24X60X60 5 SHF TSS	335

Part #	Dimensions	Lbs
SEC483F	24X48X60 3 SHF TSS	262
SEC484F	24X48X60 4 SHF TSS	278
SEC485F	24X48X60 5 SHF TSS	294

MOBILE SECURITY CAGES - WIRE SHELVES

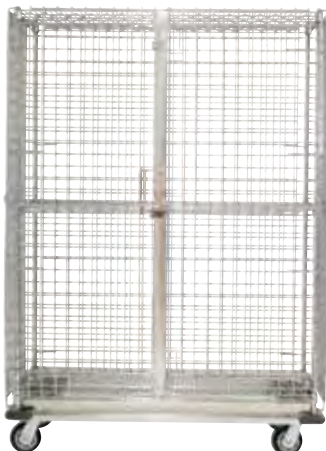


Part #	Dimensions	Lbs
MSEC363F	24" x 36" x 69"	224
MSEC364F	24" x 36" x 69"	236
MSEC365F	24" x 36" x 69"	248

Part #	Dimensions	Lbs
MSEC603F	24" x 60" x 69"	304
MSEC604F	24" x 60" x 69"	324
MSEC605F	24" x 60" x 69"	343

Part #	Dimensions	Lbs
MSEC483F	24" x 48" x 69"	270
MSEC484F	24" x 48" x 69"	286
MSEC485F	24" x 48" x 69"	302

DOLLY BASE SECURITY CAGES - WIRE SHELVES



Part #	Dimensions	Lbs
RDSEC363F	24" x 36" x 70"	264
RDSEC364F	24" x 36" x 70"	276
RDSEC365F	24" x 36" x 70"	288

Part #	Dimensions	Lbs
RDSEC603F	24" x 60" x 70"	371
RDSEC604F	24" x 60" x 70"	391
RDSEC605F	24" x 60" x 70"	410

Part #	Dimensions	Lbs
RDSEC483F	24" x 48" x 70"	323
RDSEC484F	24" x 48" x 70"	339
RDSEC485F	24" x 48" x 70"	355

STATIONARY SECURITY CAGES - SOLID SHELVES



Part #	Dimensions	Lbs	Part #	Dimensions	Lbs
SEC363F-SLD	24x36x60 3 SHF TSS	216	SEC603F-SLD	24x60x60 3 SHF TSS	296
SEC364F-SLD	24x36x60 4 SHF TSS	228	SEC604F-SLD	24x60x60 4 SHF TSS	315
SEC365F-SLD	24x36x60 5 SHF TSS	240	SEC605F-SLD	24x60x60 5 SHF TSS	335

Part #	Dimensions	Lbs
SEC483F-SLD	24x48x60 3 SHF TSS	262
SEC484F-SLD	24x48x60 4 SHF TSS	278
SEC485F-SLD	24x48x60 5 SHF TSS	294

MOBILE SECURITY CAGES - SOLID SHELVES



Part #	Dimensions	Lbs	Part #	Dimensions	Lbs
MSEC363F-SLD	24" x 36" x 69"	224	MSEC603F-SLD	24" x 60" x 69"	304
MSEC364F-SLD	24" x 36" x 69"	236	MSEC604F-SLD	24" x 60" x 69"	324
MSEC365F-SLD	24" x 36" x 69"	248	MSEC605F-SLD	24" x 60" x 69"	343

Part #	Dimensions	Lbs
MSEC483F-SLD	24" x 48" x 69"	270
MSEC484F-SLD	24" x 48" x 69"	286
MSEC485F-SLD	24" x 48" x 69"	302

DOLLY BASE SECURITY CAGES - SOLID SHELVES



Part #	Dimensions	Lbs	Part #	Dimensions	Lbs
RDSEC363F-SLD	24" x 36" x 70"	264	RDSEC603F-SLD	24" x 60" x 70"	371
RDSEC364F-SLD	24" x 36" x 70"	276	RDSEC604F-SLD	24" x 60" x 70"	391
RDSEC365F-SLD	24" x 36" x 70"	288	RDSEC605F-SLD	24" x 60" x 70"	410

Part #	Dimensions	Lbs
RDSEC483F-SLD	24" x 48" x 70"	323
RDSEC484F-SLD	24" x 48" x 70"	339
RDSEC485F-SLD	24" x 48" x 70"	355

COMBO IV CARTS



Unit comes with 7 shelves (2 large and 5 small) and 5 baskets. Dividers can be added to compartmentalize storage area. See pages 28-33 for additional accessories.

Part #	Dimensions	Lbs
COM24-24CH	18" X 48" X 69"	262
COM24-36CH	18" X 60" X 69"	278
COM36-24CH	24x48x60 5 SHF TSS	294

COM24-36CH has 24" baskets and 36" shelves
COM36-24CH has 36" baskets and 24" shelves

OPEN TOP CART



Allows for additional vertical storage space for odd shaped items. The three sided frame is utilized when the highest shelf level is more than 24" from the top of the unit. Additional accessories found on pages 24-30.

Part #	Dimensions	Lbs
OT1848	18" x 48" x 69"	100
OT1860	18" x 60" x 69"	121
OT2448	24" x 48" x 69"	116
OT2460	24" x 60" x 69"	137

COMBO CATHETER STORAGE CARTS



Add slides, bins, hooks and wire ledges as needed to customize your cart. See pages 23-30 for additional accessories.

Part #	Dimensions	Lbs
CRS60CH-24B	24" x 60" x 69"	146
CRS60CH-36B	24" x 60" x 69"	149

*Note: 24" Unit includes 4 Catheter Hooks per bar.
36" Unit includes 6 Catheter Hooks per bar.

CATHETER STORAGE CARTS



Our catheter storage carts are capable of holding a variety of catheter packages. Based on a modular design, all components are adjustable. Add slides, bins, hooks and wire ledges as needed to customize your cart.

See pages 23-30 for additional accessories.

Part #	Dimensions	Lbs
CRS48CH	24" x 48" x 69"	82
CRS60CH	24" x 60" x 69"	101

*Note: 48" Unit includes 8 Catheter Hooks per bar.
60" Unit includes 10 Catheter Hooks per bar.

STERILE WRAP CARTS



Designed for use with both reusable and disposable linen wraps. Each cart comes with 4 hanging bars of square tubular construction that can be placed at varying heights on the cart. Additional bars allow for added wrap capacity.

Part #	Dimensions	Lbs
WC48CH	24" x 48" x 69"	146
WC60CH	24" x 60" x 69"	149
WCHB48CH	Extra bar for 48" Wrap Cart	
WCHB60CH	Extra bar for 60" Wrap Cart	

LOW PROFILE STERILE WRAP

Chrome sterile wrap cart's hang bars keep sterile wraps separated and accessible for special preps.



Part #	Dimensions	Lbs
T.WC1860-LPCH	18" X 60" X 40"	45
T.WC2460-LPCH	24" X 60" X 40"	53

WIRE UTILITY CARTS

2 SHELF

Part #	Dimensions
RD282CH	18" X 30" X 40" 2-SHELVES
RD283CH	18" X 36" X 40" 2-SHELVES
RD284CH	18" X 48" X 40" 2-SHELVES
RD243CH	24" X 30" X 40" 2-SHELVES
RD244CH	24" X 36" X 40" 2-SHELVES
RD246CH	24" X 48" X 40" 2-SHELVES

3 SHELF

Part #	Dimensions
RD382CH	18" X 30" X 40" 3-SHELVES
RD383CH	18" X 36" X 40" 3-SHELVES
RD384CH	18" X 48" X 40" 3-SHELVES
RD343CH	24" X 30" X 40" 3-SHELVES
RD344CH	24" X 36" X 40" 3-SHELVES
RD346CH	24" X 48" X 40" 3-SHELVES



2 SHELF

Part #	Dimensions
S-RD282CH	18" X 30" X 40" 2-SHELVES
S-RD283CH	18" X 36" X 40" 2-SHELVES
S-RD284CH	18" X 48" X 40" 2-SHELVES
S-RD243CH	24" X 30" X 40" 2-SHELVES
S-RD244CH	24" X 36" X 40" 2-SHELVES
S-RD246CH	24" X 48" X 40" 2-SHELVES

3 SHELF

Part #	Dimensions
S-RD382CH	18" X 30" X 40" 3-SHELVES
S-RD383CH	18" X 36" X 40" 3-SHELVES
S-RD384CH	18" X 48" X 40" 3-SHELVES
S-RD343CH	24" X 30" X 40" 3-SHELVES
S-RD344CH	24" X 36" X 40" 3-SHELVES
S-RD346CH	24" X 48" X 40" 3-SHELVES



SOLID UTILITY CARTS

2 SHELF

Part #	Dimensions
RD283CH-SLD	18" X 36" X 40" 2-SHELVES
RD284CH-SLD	18" X 48" X 40" 2-SHELVES
RD244CH-SLD	24" X 36" X 40" 2-SHELVES
RD246CH-SLD	24" X 48" X 40" 2-SHELVES

3 SHELF

Part #	Dimensions
RD383CH-SLD	18" X 36" X 40" 3-SHELVES
RD384CH-SLD	18" X 48" X 40" 3-SHELVES
RD344CH-SLD	24" X 36" X 40" 3-SHELVES
RD346CH-SLD	24" X 48" X 40" 3-SHELVES



2 SHELF

Part #	Dimensions
S-RD283CH-SLD	18" X 36" X 40" 2-SHELVES
S-RD284CH-SLD	18" X 48" X 40" 2-SHELVES
S-RD244CH-SLD	24" X 36" X 40" 2-SHELVES
S-RD246CH-SLD	24" X 48" X 40" 2-SHELVES

3 SHELF

Part #	Dimensions
S-RD383CH-SLD	18" X 36" X 40" 3-SHELVES
S-RD384CH-SLD	18" X 48" X 40" 3-SHELVES
S-RD344CH-SLD	24" X 36" X 40" 3-SHELVES
S-RD346CH-SLD	24" X 48" X 40" 3-SHELVES



MATERIAL HANDLING CARTS



BULK TRANSPORT CART

Versatile method for transporting bulk materials. Center casters create cantilever action, promoting easier transport of heavy loads.

Part #	Dimensions	Lbs
FC1837-6GY	18" x 44" x 37"	38



STOCK CART SOLID TOP

Part #	Dimensions	Lbs
20.436GT	18.5" x 43.5" x 40"	66

STOCK CART OPEN MESH TOP

Part #	Dimensions	Lbs
20.435GY	18.5" x 43.5" x 40"	47.5



U-Boat

Versatile method for transporting bulk materials. Center casters create cantilever action, promoting easier transport of heavy loads. Steel diamond deck/removable handles. Gray Powdercoat Finish.

Polyurethane Wheels: (2) 8" Center Casters & (4) 4" Swivel Casters

Part #	Dimensions	Lbs
UB1600	16" x 60" x 61"	100

U-BOAT SOLID SHELF

Part #	Dimensions	Lbs
UB1600SHELF	16" x 60" x 1"	24



Supply Cart

Part #	Dimensions	Lbs
MC24.1	18" X 36" X 40" "One Basket & One Shelf"	36
MC24.2	18" X 36" X 40" "Two Baskets"	34.5

CART COVERS

Our covers are offered in a variety of materials including: Tech-Chek Vinyl, ESD Vinyl, 400 & 200 Denier Nylon, Spun-Filament Polyester, 12 Gauge Clear Vinyl and 20 Gauge Clear Vinyl.



CART COVER MATERIAL

Tech-Chek Vinyl: 10 oz. per square yard reinforced Vinyl. Fabric qualities include: Flame Resistant, Stain/Tear Resistant, Antistatic, Odor Resistant, Fluidproof, Antimicrobial, Easy to Maintain.

12 Gauge Clear Vinyl: 12 Gauge Clear Vinyl is marine grade, mildew resistant and UV stabilized. Allows for easy viewing of cart's contents.

ESD Vinyl: 10 oz. per square yard reinforced Vinyl with special anti-conductive properties. Fabric qualities include: Fluidproof, Antimicrobial, Flame Resistant, Stain/Tear Resistant, Electrically Conductive, Hypoallergenic, Self-Deodorizing, Easy to Maintain.

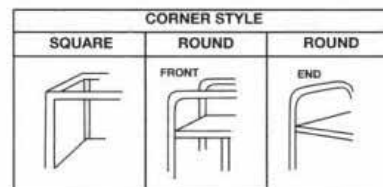
200 Denier Nylon: Medium weight, flexible. Best for stationary carts.

400 Denier Nylon: Heavy weight alternative to 200 Denier. Good for stationary or moving carts.

FEATURES / OPTIONS

Standard Features Include: Full Flaps, Reinforced Corners, Velcro® Tab or Zipper Closures, 12 Point Inspection, and Double Needle Construction.

Available Options: Hand Hole(s), Handle Hole(s), Velcro® Strip Closures, Clear Vinyl Front Flap, 9" x 12" Clear Routing Pocket, Top & Bottom Tie Tapes, Side Flaps, Linen Pocket, Clear Vinyl Windows, Custom Screen Printing and Stenciling.



400 Denier Nylon Colors Include:



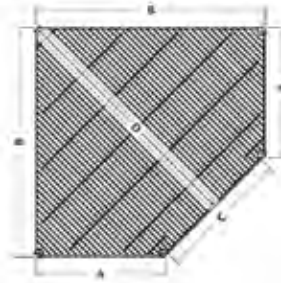
How to Design Your Cart Cover:

1. Accurately measure width, length and height (do not allow for clearance, give exact measurements, height to above casters).
2. Determine corner style. (round end, round front or square)
3. Determine fabric and color.
4. Determine flap closure. (velcro or zippered)
5. Indicate any special options.
6. Make a simple illustration, if needed.

ACCESSORIES

5 SIDED SHELF

Put unused corner space to work for you. Our (5) sided shelf provides easier access to stored articles in corner spaces, removing the typical start/adder configuration. Shelf sizes correspond to depth of shelving for additional storage sections to be added.



Part #	A	B	C	D	Lbs
S51836CH	18	36	24	38	12
S52442CH	24	42	24	46	18

PULLOUT ACCESSORY STORAGE

Full extension catheter slide that works in conjunction with the TSS shelf assembly. Additional slides can be added to achieve desired storage levels on an 18" or 24" deep shelving unit. Six storage hooks on 18" slide and 8 storage hooks on 24" slide.



Part #	Lbs
T.CATHSLD-18	3
T.CATHSLD-24	4

END/BACK SCREEN

All welded wire construction (3" x 3" mesh) offers an effective way to keep contents from moving or falling off during transportation. Screen hangs from top shelf level and fastens with screen clips.

REMOVE END SCREEN

Part #	Dimensions	Lbs
PEC1460CH	14 X 60 - CHROME	6.00
PEC1472CH	14 X 72 - CHROME	8.00
PEC1860CH	18 X 60 - CHROME	7.5
PEC1872CH	18 X 72 - CHROME	9
PEC2160CH	21 X 60 - CHROME	10
PEC2172CH	21 X 72 - CHROME	10
PEC2460CH	24 X 60 - CHROME	12
PEC2472CH	24 X 72 - CHROME	13.5

BACK SCREEN

Part #	Dimensions	Lbs
BRD3660CH	36 X 63 - CHROME	16.5
BRD4260CH	42 X 63 - CHROME	20.5
BRD4860CH	48 X 63 - CHROME	24
BRD5460CH	54 X 63 - CHROME	27
BRD6060CH	60 X 63 - CHROME	30
BRD7260CH	72 X 63 - CHROME	35
BRD3672CH	36 X 74 - CHROME	20
BRD4272CH	42 X 74 - CHROME	24.5
BRD4872CH	48 X 74 - CHROME	28
BRD5472CH	54 X 74 - CHROME	32
BRD6072CH	60 X 74 - CHROME	35
BRD7272CH	72 X 74 - CHROME	41



Top Attachment



Bottom Attachment

3-SIDED FRAME

Attaches to all four posts, to provide additional structure and rigidity to the perimeter of a shelving unit.



Part #	Dimensions	Lbs	Part #	Dimensions	Lbs
3F1836CH	18" x 36"	8	3F2436CH	24" x 36"	9
3F1848CH	18" x 48"	9	3F2448CH	24" x 48"	10
3F1860CH	18" x 60"	10	3F2460CH	24" x 60"	11

ACCESSORIES

WIRE and SOLID LEDGES

Can be used in static or mobile applications to prevent stored contents from protruding or falling off the shelf.



WIRE

Part #	Dimensions	Lbs
L144CH	14" X 4"	1
L184CH	18" X 4"	1
L214CH	21" X 4"	2
L244CH	24" X 4"	2
L304CH	30" X 4"	2
L364CH	36" X 4"	2.5
L424CH	42" X 4"	2.5
L484CH	48" X 4"	3
L544CH	54" X 4"	3
L604CH	60" X 4"	3.5
L724CH	72" X 4"	4

SOLID

Part #	Dimensions	Lbs
L184CH-SLD	18" X 4"	2.5
L244CH-SLD	24" X 4"	3
L364CH-SLD	36" X 4"	3
L484CH-SLD	48" X 4"	3
L604CH-SLD	60" X 4"	3.5
L724CH-SLD	72" X 4"	4

WIRE and SOLID SHELF DIVIDERS

Allow you to quickly and easily organize the contents of your shelving unit. At 8" high, this divider boasts a unique pressure-fit design that allows it to attach to the top or bottom of your shelf.



WIRE

Part #	Dimensions	Lbs
D148CH	14 X 8	1
D188CH	18 X 8	1
D218CH	21 X 8	1.5
D248CH	24 X 8	1.5

SOLID

Part #	Dimensions	Lbs
D188CH-SLD	18 X 8	1
D248CH-SLD	24 X 8	1.5

LEFT TO RIGHT DIVIDER

Divides the shelf depth-wise to create a barrier between the front and back of the shelf. Ideal for supply rooms where space is limited.



Part #	Dimensions	Lbs
DL368CH	36" x 8"	3
DL488CH	48" x 8"	5
DL608CH	60" x 8"	7

SUPPLY / ACCESSORY BASKET

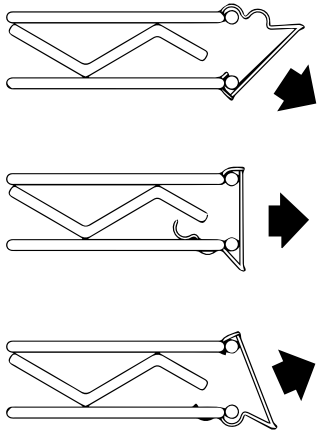
Small basket can be added to existing shelving, to create an additional storage compartment. Ideal for latex gloves and other small boxed articles.



Part #	Dimensions	Lbs
HB715	7 X 15 X 7	2

LABEL HOLDERS

3 Ways to Mount:



3-Position Label Holders

Part #	Dimensions
LH03BLUE	3"
LH24BLUE	24"
LH36BLUE	36"
LH48BLUE	48"
LH60BLUE	60"
LH72BLUE	72"

Part #	Dimensions
LH03CLEAR	3"
LH24CLEAR	24"
LH36CLEAR	36"
LH48CLEAR	48"
LH60CLEAR	60"
LH72CLEAR	72"



SNAP + RELEASE LABEL HOLDERS

Color code by expiration date, lead time, supply type or department. Allows for rapid identification of inventory to simplify restocking.



PART #	DIMS
LR03RD	1.5" x 3"



PART #	DIMS
LR03YL	1.5" x 3"



PART #	DIMS
LR03CL	1.5" x 3"



PART #	DIMS
LR03GR	1.5" x 3"



PART #	DIMS
LR03BL	1.5" x 3"



PART #	DIMS
LR03OR	1.5" x 3"



PART #	DIMS
LR03PK	1.5" x 3"

BASKET LABEL HOLDERS



CLEAR

Part #	Dimensions
TLB03CL	3"
TLB24CL	24"
TLB36CL	36"
TLB48CL	48"
TLB60CL	60"

BLACK

Part #	Dimensions
TLB03B	3"
TLB24B	24"
TLB36B	36"
TLB48B	48"
TLB48B	60"

TOTE/DRAWER SLIDE

Store various sizes of wire baskets and plastic totes with our drawer slides.



Part #	Dimensions
RDK2440	24" Deep Slide
DRAW7SH	24" X 24"
DRAW14SH	24" X 42"

ACCESSORIES



WALL MOUNT BRACKET

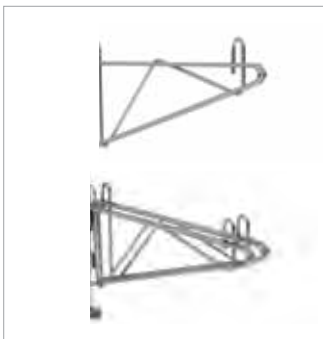
Secures freestanding and cantilever post mount shelving to wall. Capacity is dictated by wall construction and anchor type. Anchor bolts not included. Sold individually.

Part #	Dimensions	Lbs
WMB	3.5" x 1"	1

WALL MOUNT



POST MOUNT



WALL/POST MOUNTED CANTILEVER BRACKETS

Turn unused wall area into overhead or above work surfaces storage space. Use double supports to mount adjacent shelves, single supports at ends. Capacity is dictated by wall construction and anchor type. Let Technibilt help design your wall mounted storage. Call us today for assistance!

DIRECT WALL MOUNT-SINGLE SIDED

Part #	Dimensions	Lbs
DMB14CH	14"	2
DMB18CH	18"	3
DMB21CH	21"	3.5
DMB24CH	24"	4

DIRECT WALL MOUNT-DOUBLE SIDED

Part #	Dimensions	Lbs
DMB14CH.2	14"	3
DMB18CH.2	18"	4
DMB21CH.2	21"	4.5
DMB24CH.2	24"	5

POST MOUNT-SINGLE SIDED

Part #	Dimensions	Lbs
SMB14CH	14"	2
SMB18CH	18"	3
SMB21CH	21"	3.5
SMB24CH	24"	4

POST MOUNT-DOUBLE SIDED

Part #	Dimensions	Lbs
SMB14CH.2	14"	3
SMB18CH.2	18"	4
SMB21CH.2	21"	4.5
SMB24CH.2	24"	5

WALL MOUNT SHELVING KITS

ONE LEVEL

Part #	Dimensions
1WA1424	14" x 24" x 14"
1WA1430	14" x 30" x 14"
1WA1436	14" x 36" x 14"
1WA1442	14" x 42" x 14"
1WA1448	14" x 48" x 14"

TWO LEVELS

Part #	Dimensions
2WA1424	14" x 24" x 27"
2WA1430	14" x 30" x 27"
2WA1436	14" x 36" x 27"
2WA1442	14" x 42" x 27"
2WA1448	14" x 48" x 27"

THREE LEVELS

Part #	Dimensions
3WA1424	14" x 24" x 34"
3WA1430	14" x 30" x 34"
3WA1436	14" x 36" x 34"
3WA1442	14" x 42" x 34"
3WA1448	14" x 48" x 34"



Part #	Dimensions
1WA1824	18" x 24" x 14"
1WA1830	18" x 30" x 14"
1WA1836	18" x 36" x 14"
1WA1842	18" x 42" x 14"
1WA1848	18" x 48" x 14"

Part #	Dimensions
2WA1824	18" x 24" x 27"
2WA1830	18" x 30" x 27"
2WA1836	18" x 36" x 27"
2WA1842	18" x 42" x 27"
2WA1848	18" x 48" x 27"

Part #	Dimensions
"3WA1824	18" x 24" x 34"
"3WA1830	18" x 30" x 34"
"3WA1836	18" x 36" x 34"
"3WA1842	18" x 42" x 34"
"3WA1848	18" x 48" x 34"

ACCESSORIES

SHELF INLAY

Translucent shelf liners prevent small items from falling through wire shelves.

Part #	Dimensions	Part #	Dimensions
AM1824PF	18" X 24"	AM2424PF	24" X 24"
AM1836PF	18" x 36"	AM2436PF	24" x 36"
AM1848PF	18" x 48"	AM2448PF	24" x 48"
AM1860PF	18" x 60"	AM2460PF	24" x 60"
AM1872PF	18" x 72"	AM2472PF	24" x 72"

* All sizes not shown above, must be cut down from a larger size to accommodate required shelf dimensions



Build your own special size chrome wire shelving utility cart with three different u-handle width choices: 18" or 24"

Part #	Dimensions	Lbs
RD18CH	18" X 34"	6
RD24CH	24" X 34"	8



PUSH / PULL HANDLE

Allows for increased leverage and maneuverability of carts during transport. Handles can also be used with high density systems to increase productivity.

Part #	Dimensions	Lbs
PH18CH	18" x 1"	2
PH24CH	24" x 1"	3



DOLLY BASE

Adds stability and support for heavy-duty or over-the-road applications. Plate caster also provides additional weight capacity compared to stem castered units. Increases unit capacity to 2,000 lbs.

Part #	Dimensions	Lbs
RD9836	18" X 36"	30
RD9848	18" X 48"	40
RD9860	18" X 60"	50
RD9436	24" X 36"	40
RD9448	24" X 48"	53
RD9460	24" X 60"	67



ACCESSORIES



BINS

Safe and efficient method for protecting and compartmentalizing small to medium sized items. Customizable with the addition of dividers.

PART #	DIMENSIONS
TB40	17.25" x 22.25 x 6
CH30 Bin Card Holder	



BIN DIVIDERS

Slide-in dividers allow for instant, custom bin configuration.

PART #	DIMENSIONS
DV17	15.5" x 5.5"
DV22	20.5" x 5.5"



SPLIT SLEEVE ADAPTERS

Extra adapters for 1" diameter posts, sold four per bag. One bag secures one shelf level.

PART #
PBAG



POST CLAMP

Provides extra measure of strength and stability for units in consecutive runs.

PART #	WEIGHT
CLAMPCH - CHROME	0.5lbs
CLAMPPW - DUROSEAL	0.5lbs



S-HOOK

Units can be joined together perpendicularly or side by side to create continuous runs of shelving. Two s-hooks per shelf level are required, in place of posts.

PART #
PBC200.TSS



DONUT BUMPER

Fits over caster, on post to protect walls and other units from damage.

PART #	DIMENSIONS
DRB325	3.25" x 3.25"

ACCESSORIES

FOOT PLATE

Enables the shelving unit to be fastened to the floor.
 SPECS: 3/8" diameter thread

PART #

FP - Chrome Plus



LEVELING BOLT + PLUG

Aides leveling of shelving unit on uneven surfaces.
 Should be used with most stationary applications
 and are included in every
 package of posts.

PART #

PLUG – FOOT CASTING
 BOLT – LEVELING BOLT



SCREEN CLIP

Fastens screen more securely to shelving unit and
 allows for quieter transport of enclosed wire carts.

PART #

DIMS

SSCLIP

1" x 1"



POST EXTENDER

Allows for the addition of vertical storage space.
 Screw double threaded bolt and extra foot casting
 together. Contact Technibilt for instructions install-
 ing units higher than 86".

PART #

Weight

TRBCON

.5



CASTER OPTIONS



3" Threaded Stem Casters

PART #	WEIGHT (lbs)
3C	2
3CB	2



5" Non Marking Swivel Caster

PART #	WEIGHT (lbs)
5C	2
5CB	2



Expandable Stem Casters

PART #	WEIGHT (lbs)
SSC5C	2
SSC5CB	2



RIGID BARS

PART #	DIMENSIONS
RBAR18	18"
RBAR24	24"



Plate Casters

PART #	WEIGHT (lbs)
C5	5
C5B	5



Plate Casters

PART #	WEIGHT (lbs)
C6	6
C6B	6

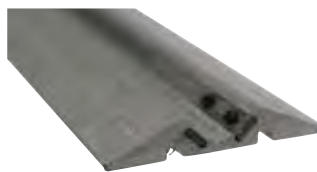
Various stem and plate caster combinations are available upon request. Please contact us today for information on additional sizes, tread and bearing types.

TECHNIBILT HD SYSTEM

Technibilt High Density moveable aisle system increases the storage capacity of a given area by 40-50%. Our versatile system allows for more storage units to be installed in a defined space, preventing the need for expansion or renovation of existing storage areas. An open, moveable aisle (usually 36") allows access to each level of each shelving unit, eliminating dead or wasted spaces.



VTrack with Endstop



VTrack Profile



Skate With Wingkit

Maximizes Storage Capacity

+

Increases Productivity

=

Cost-Saving Performance

Technibilt HD System uses a skate concept, utilizing the structural integrity of the Technibilt Storage Systems(TSS) shelving units.

The low-profile, non-corrosive aircraft aluminum track measures 7/16" at its highest peak, allowing for easy cleaning and ADA compliance. Floor tracks provide a smooth, level surface, when inconsistent or uneven floor conditions exist.

Industrial-type bearings allow loaded units (up to 1,500 lbs.) to glide effortlessly over the track.

COMPONENTS



Skate



Mounting Provisions



End Stop

Components

VTRACK - V-Groove Track - is fabricated from extruded, anodized aluminum and stainless steel, offering corrosion-free construction. Track is sold on a per inch basis to maximize available storage areas.

ESTOP - End Stop Kit - Kit includes 2 ends and 1 drill bit. Positioned at both ends of each track. Serves the dual purpose of stopping the skate/shelving unit and is also the anchor point for the track run.

WINGKIT - Includes 1/4" thick plates and all mounting hardware. Allows for the joining of two units, side by side, sharing one track.

HEAVY DUTY SKATES - Technibilt's skate concept utilizes the structural integrity of our TSS shelving. Each skate is constructed from engineering plastic, aircraft aluminum and industrial bearing.

SKATES

PART #	DIMENSIONS
SK18TS	18" x 2" x 2"
SK21TS	21" x 2" x 2"
SK24TS	24" x 2" x 2"
SK30TS	30" x 2" x 2"

E-STOP

PART #
ESTOP

V-TRACK

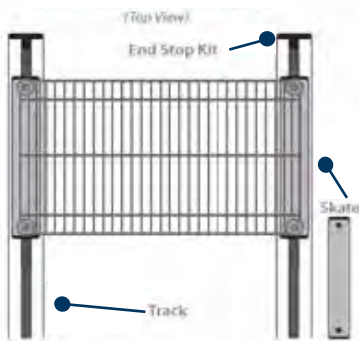
PART #
VTRACK

WING KIT

PART #
WINGKIT

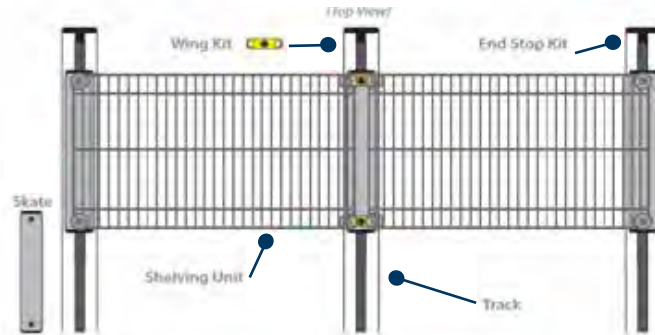
Stationary units at the end or center of a high density system are not a requirement for our track shelving system. VTRACK can run the full width of system provided at least one aisle space is allowed.

SINGLE UNIT TRACK SYSTEM



SINGLE DEEP FLOOR TRACK ASSEMBLES

DOUBLE UNIT TRACK SYSTEM



DOUBLE DEEP FLOOR TRACK ASSEMBLES

WAYS TO ORDER

1. Select desired length of track and if you require a single or double unit track.
2. Select corresponding skate size. Skate size should match depth of unit.
3. Determine how many units will fit onto track, allowing for a recommended 30" - 36" aisle.

SMART CELL™



SmartCell™ delivers industry-leading open wire storage that allows for easy identification of materials. Quickly adjustable storage compartments increase the efficiency of both materials management and nursing staff alike.

- Hospital-grade chrome plating prevents sharp edges on open wire mesh baskets.
- Wire mesh baskets prevent the accumulation of dirt and debris, leading to better aseptic practices.
- 12" and 18" Fine mesh wire baskets come in lengths of 18" and 36" suitable for mounting on louvered panels or cantilever pedestal frame.
- Four different adjustable dividers provide endless variations to storage space and also creating opportunities to implement lean inventory management practices, such as KanBan and PAR level systems.
- Pedestal frames and louvered panels are finished with industrial strength powder coat to enhance the durability and longevity of the finish.
- Bottom dust shelf/cover provides a barrier and protection to bottom basket contents, maintaining joint Commission standards.
- Full-length label holders are available, as well as our snap and release label holder that provides color-coded storage options for various departments.
- Optional mobile bracket attaches to pedestal frame and allows the units to be moved for cleaning maintenance or relocation.

FEATURES

CASTERS

Casters are mounted to $\frac{3}{4}$ " steel bar, to provide a larger footprint and prevent units from becoming top-heavy. Med-Glide Plus casters resist oxidation and rust, due to their fiber reinforced plastic structure. They require no maintenance for optimum performance and reliability. Caster size is 4" x 1 $\frac{1}{4}$ " with a weight capacity of 330 lbs. for static loads and 200 lbs. for dynamic loads.



CONSTRUCTION

Cantilever leg frames are constructed from 1" x 2" boxed steel and finished in a cool gray powder coat. The rectangular uprights are notched and numbered at 1" increments to accept the basket hang bar.



BASKETS

The basket hang bar connects to each upright, providing added security and extra weight capacity over the traditional basket mounted end supports. Baskets are available in fine mesh with $\frac{1}{2}$ " square openings and a medical-grade nickel chrome finish.



SOLID SHELVES/DUST COVERS

Solid shelves/Dust Covers are constructed from solid, powder coated steel and feature turn down edges to provide additional rigidity.



LOAD CAPACITY

Carts are rated at 100 lbs. per basket, but total cart capacity should not exceed 500 lbs. Weight capacity should be evenly distributed along each basket, as well as the unit as a whole.

6 BASKETS



SmartCell® Unit comes complete with 1 single-sided frame, solid bottom dust shelf, 3 (12" deep) baskets, 3 18" deep baskets and 6 frame-mounted basket hang bars.

Add-on units have only 1 frame upright.

*Mobile brackets and optional accessories sold separately on page 38-40.

PART #	DESCRIPTION	DIMS
HSC186S	SmartCell Starter Unit 18" Wide Single Sided	19.5" x 21.5" x 74"
HSC186A	SmartCell Add-On Unit 18" Wide Single Sided	18.5" x 21.5" x 74"
HSC366S	SmartCell Starter Unit 36" Wide Single Sided	37.5" x 21.5" x 74"
HSC366A	SmartCell Add-On Unit 36" Wide Single Sided	36.5" x 21.5" x 74"
HSC486S	SmartCell Starter Unit 48" Wide Single Sided	49.5" x 21.5" x 74"
HSC486A	SmartCell Add-On Unit 48" Wide Single Sided	48.5" x 21.5" x 74"

*SHOWN AS 36" STARTER & 18" ADD-ON

12 BASKETS



SmartCell® Unit comes complete with 1 double-sided frame, 2 solid bottom dust shelves, 6 (12" deep) baskets, 6 (18" deep) baskets and 12 frame-mounted basket hang bars.

Add-on units have only 1 frame upright.

*Mobile brackets and optional accessories sold separately on page 38-40.

PART #	DESCRIPTION	DIMS
HSC186S-2	SmartCell Starter Unit, 18" Wide Double Sided	19.5" x 40.5" x 74"
HSC186A-2	SmartCell Add-On Unit 18" Wide Double Sided	18.5" x 40.5" x 74"
HSC366S-2	SmartCell Starter Unit 36" Wide Double Sided	37.5" x 40.5" x 74"
HSC366A-2	SmartCell Add-On Unit 36" Wide Double Sided	36.5" x 40.5" x 74"
HSC486S-2	SmartCell Starter Unit, 48" Wide Double Sided	49.5" x 40.5" x 74"
HSC486A-2	SmartCell Add-On Unit 48" Wide Double Sided	48.5" x 40.5" x 74"

*SHOWN AS 14 BASKET UNIT

7 BASKETS



SmartCell® Unit comes complete with 1 single-sided frame, solid bottom dust shelf, 4 (12" deep) baskets, 3 (18" deep) baskets and 7 frame-mounted basket hang bars.

Add-on units have only 1 frame upright.

*Mobile brackets and optional accessories sold separately on page 38-40.

PART #	DESCRIPTION	DIMS
HSC187S	SmartCell Starter Unit 18" Wide Single Sided	19.5" x 21.5" x 74"
HSC187A	SmartCell Add-On Unit 18" Wide Single Sided	18.5" x 21.5" x 74"
HSC367S	SmartCell Starter Unit 36" Wide Single Sided	37.5" x 21.5" x 74"
HSC367A	SmartCell Add-On Unit 36" Wide Single Sided	36.5" x 21.5" x 74"
HSC487S	SmartCell Starter Unit 48" Wide Single Sided	49.5" x 21.5" x 74"
HSC487A	SmartCell Add-On Unit 48" Wide Single Sided	48.5" x 21.5" x 74"

*SHOWN AS 6 BASKET UNIT

14 BASKETS



SmartCell® Unit comes complete with 1 double-sided frame, 2 solid bottom dust shelves, 8 (12" deep) baskets, 6 (18" deep) baskets and 14 frame-mounted basket hang bars.

Add-on units have only 1 frame upright.

*Mobile brackets and optional accessories sold separately on page 38-40.

PART #	DESCRIPTION	DIMS
HSC187S-2	SmartCell Starter Unit, 18" Wide Double Sided	19.5" x 40.5" x 74"
HSC187A-2	SmartCell Add-On Unit 18" Wide Double Sided	18.5" x 40.5" x 74"
HSC367S-2	SmartCell Starter Unit 36" Wide Double Sided	37.5" x 40.5" x 74"
HSC367A-2	SmartCell Add-On Unit 36" Wide Double Sided	36.5" x 40.5" x 74"
HSC487S-2	SmartCell Starter Unit 48" Wide Double Sided	49.5" x 40.5" x 74"
HSC487A-2	SmartCell Add-On Unit 48" Wide Double Sided	48.5" x 40.5" x 74"

NEW! SMART CELL™ WITH ROUND POSTS

- New design utilizing our standard round post for easy custom configuration of mobile carts for greater mobility and visibility.
- Allows for easy integration of standard wire shelves and baskets. *See page 4 for wire shelf model numbers and dimensions.*
- Baskets are available in a flat configuration or can be angled for easier access.
- Adjustable dividers provide endless variations to the basket interiors and also create opportunities to implement lean inventory management practices such as Kanban and PAR level systems.
- Bottom dust shelf/ cover provides a barrier and protection to bottom basket contents maintaining joint commission standards.
- Available in 36", 48", and 60" widths and 18" and 24" Depths.
- Post's come in sizes ranging from 14", 27", 34", 43", 54", 63", 74", 86". *Special post lengths are available. -See page 4 for model numbers.*
- Donut bumpers and Castors - See page pages 29 and 30.
- All fine mesh wire baskets are plated in hospital-grade Chrome and the framework is finished with industrial strength powder coat to enhance the durability and longevity of the system.



PART #	DESCRIPTION	DIMS
T.HPM18DV	POST MOUNT SC DIVIDER	18"
T.HPM24DV	POST MOUNT SC DIVIDER	24"
T.HPM46DV	POST MOUNT SC DIVIDER	4" X 6"
T.HPM48DV	POST MOUNT SC DIVIDER	4" X 8"
T.HPM410DV	POST MOUNT SC DIVIDER	4" X 10"
T.HPM1836BSK	POST MOUNT SC BASKET	18" X 36"
T.HPM1848BSK	POST MOUNT SC BASKET	18" X 48"
T.HPM1860BSK	POST MOUNT SC BASKET	18" X 60"
T.HPM2436BSK	POST MOUNT SC BASKET	24" X 36"
T.HPM2448BSK	POST MOUNT SC BASKET	24" X 48"
T.HPM2460BSK	POST MOUNT SC BASKET	24" X 60"
T.HPM1836BSK-AG	POST MOUNT SC ANGLE BSK	18" X 36"
T.HPM1848BSK-AG	POST MOUNT SC ANGLE BSK	18" X 48"
T.HPM1860BSK-AG	POST MOUNT SC ANGLE BSK	18" X 60"
T.HPM2436BSK-AG	POST MOUNT SC ANGLE BSK	24" X 36"
T.HPM2448BSK-AG	POST MOUNT SC ANGLE BSK	24" X 48"
T.HPM2460BSK-AG	POST MOUNT SC ANGLE BSK	24" X 60"



CUSTOM DIVIDERS FOR PARTITIONING



WIDE VARIETY OF ACCESSORIES TO COMPLEMENT & CUSTOMIZE YOUR SYSTEM



STURDY CONSTRUCTION WITH NO SHARP EDGES TO CATCH WRAPPED STERILE TRAYS

ACCESSORIES

MESH BASKETS

PART #	DESCRIPTION	DIMS
H1218BSK	Chrome Plus Mesh Basket	12" x 18"
H1818BSK	Chrome Plus Mesh Basket	18" x 18"
H1236BSK	Chrome Plus Mesh Basket	12" x 36"
H1836BSK	Chrome Plus Mesh Basket	18" x 36"
H1248BSK	Chrome Plus Mesh Basket	12" x 48"
H1848BSK	Chrome Plus Mesh Basket	18" x 48"



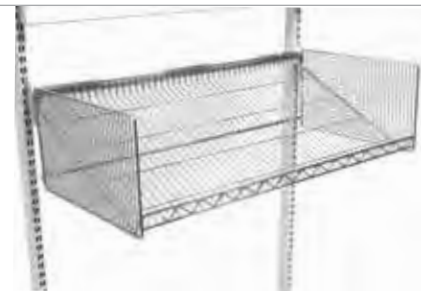
DUST COVERS/SHELVES

PART #	DESCRIPTION	DIMS
H18DC	Dust Shelf/Cover	18" x 18"
H36DC	Dust Shelf/Cover	18" x 36"
H48DC	Dust Shelf/Cover	18" x 48"



SUTURE SHELVES

PART #	DESCRIPTION	DIMS
H1818BSK-ST	Chrome Plus Suture Shelf	18" x 18"
H1836BSK-ST	Chrome Plus Suture Shelf	18" x 36"



BASKET HANG BARS

PART #	DESCRIPTION	DIMS
H18HB	Pedestal Frame Hang Bar	18"
H36HB	Pedestal Frame Hang Bar	36"
H48HB	Pedestal Frame Hang Bar	48"



BASKET MOUNTING BRACKET

PART #	DESCRIPTION	DIMS
HBRKT	Basket Mounting Bracket	6" x 4"



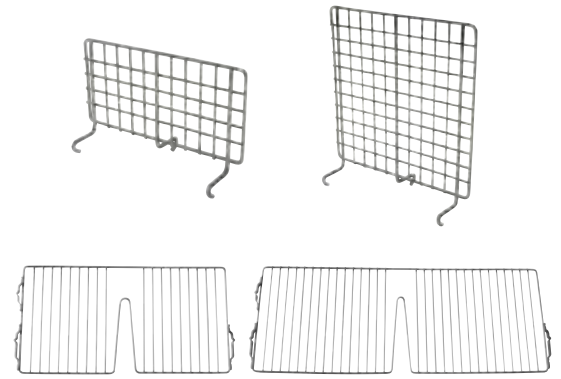
HOSPITAL-GRADE CHROME FINISH. Heavy duty 90 degree supports on back of basket, for attachment to pedestal frame or louvered panel. One hang bar is required when mounting to pedestal frame.

ACCESSORIES

DIVIDERS

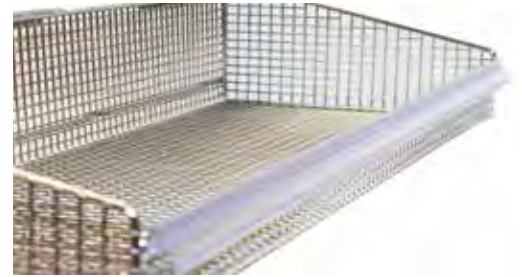
Allow for custom compartmentalization of the SmartCell® basket system. Large and small articles alike are stored in separate compartments, allowing for easy identification and quick retrieval.

PART #	DESCRIPTION	DIMS
HDV36	Chrome Plus Basket Divider	3" x 6"
HDV66	Chrome Plus Basket Divider	6" x 6"
HDV126	Chrome Plus Basket Divider	12" x 6"
HDV186	Chrome Plus Basket Divider	18" x 6"



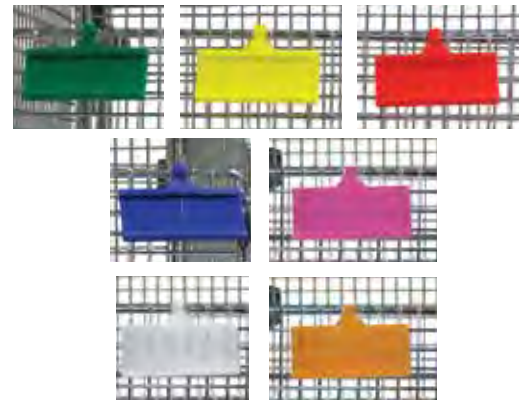
FULL-LENGTH LABEL HOLDER

PART #	DESCRIPTION	DIMS
LHB18CL	Basket Label Holder	18"
LHB36CL	Basket Label Holder	36"
LHB48CL	Basket Label Holder	48"



REUSABLE/SNAP & RELEASE LABEL HOLDERS

PART #	DESCRIPTION	DIMS
LR03BL	Snap and Release Label Holder - Blue(50/pack)	3"
LR03CL	Snap and Release Label Holder - Clear(50/pack)	3"
LR03GR	Snap and Release Label Holder - Green(50/pack)	3"
LR03OR	Snap and Release Label Holder - Orange(50/pack)	3"
LR03PK	Snap and Release Label Holder - Pink(50/pack)	3"
LR03RD	Snap and Release Label Holder - Red(50/pack)	3"
LR03YL	Snap and Release Label Holder - Yellow(50/pack)	3"



CASTERS

PART #	DESCRIPTION	DIMS
HST-4CB-MED	Med-Glide Caster	4" x 1.25"



Castors can mount directly to pedestal frame, to reduce depth of mobile unit.

ACCESSORIES

FRAME-MOUNTED LOUVER PANEL

PART #	DESCRIPTION	DIMS
HLP1861	Louvered Panel w/ Frame	18" x 19"
HLP3661	Louvered Panel w/ Frame	36" x 19"
HSC18-LPFS	Louvered Panel Mounting Brackets	36" x 61"
HSC36-LPFS	Louvered Panel Mounting Brackets	18" x 61"



LOUVERED PANEL AND ACCESSORIES

PART #	DESCRIPTION	DIMS
HSC1819LP	Louvered Panel	18" x 19"
HSC3619LP	Louvered Panel	36" x 19"
HSC3661LP	Louvered Panel	36" x 61"
HSC1861LP	Louvered Panel	18" x 61"
HSCSPIKE-12	Equipment Spike - Heavy Duty	12"
HSC-INSPK-1	Equipment Spike - Heavy Duty	9" x 2.5"
HSC-INSPK-2	Equipment Spike - Heavy Duty	10" x 2.5"
H1218BSK-COR	Corner Basket for Louvered Panels	12" x 18"
H1836BSK-COR	Corner Basket for Louvered Panels	12" x 36"



STARTER & ADD ON FRAMES

PART #	DESCRIPTION	DIMS
H-S1874	18" Single Sided Starter Frame	19.5" x 21.5" x 74"
H-A1874	18" Single Sided Add-On Frame	18.5" x 21.5" x 74"
H-S3674	36" Single Sided Starter Frame	37.5" x 21.5" x 74"
H-A3674	36" Single Sided Add-On Frame	36.5" x 21.5" x 74"
H-S4874	48" Single Sided Starter Frame	49.5" x 21.5" x 74"
H-A4874	48" Single Sided Add-On Frame	48.5" x 21.5" x 74"
H-S1874-2	18" Double Sided Starter Frame	19.5" x 40.5" x 74"
H-A1874-2	18" Double Sided Add-On Frame	18.5" x 40.5" x 74"
H-S3674-2	36" Double Sided Starter Frame	37.5" x 40.5" x 74"
H-A3674-2	36" Double Sided Add-On Frame	36.5" x 40.5" x 74"
H-S4874-2	48" Double Sided Starter Frame	49.5" x 21.5" x 74"
H-A4874-2	48" Double Sided Add-On Frame	48.5" x 21.5" x 74"



STARTER & ADD-ON FRAME



STARTER FRAME

SMART CELL HD™

Technibilt's SmartCell HD line provides organized and compartmentalized storage for small articles, utilizing all vertical space with tool-free adjustability at 1" increments. With its wire platform and 110% pullout slides, items are easily identified and retrieved, reducing time spent searching for supplies.



SMART CELL HD™ COMPLETE STORAGE KITS



SmartCell HD Complete Storage Kit comes with 1 (3" H) basket (flat or sloped) with safety stop and 2 short/2 long dividers; 6 (5" H) wire baskets with 1 long/2 short dividers; 1 (8" H) basket with 1 long/1 short divider, all on extension sides. Bottom dust cover and 4 (4" H) swivel casters with brakes. 50 snap and release label holders also included.

PART #	DESCRIPTION	DIMS
HST-I	SmartCell HD Complete Storage Kit, Starter, w/ 8 baskets	24" x 20" x 72"
HST-IA	SmartCell HD Complete Storage Kit, Add-On, w/ 8 baskets	24" x 19" x 72"

SMART CELL HD™ CONTAINER STORAGE KITS



SmartCell HD Container Storage Kit includes 2 frames, 4 crossbars, 7 shelves (6 shown) on full extension slides. Bottom dust cover and 4 (4" H) swivel casters with brakes.

PART #	DESCRIPTION	DIMS
HST-INST-I	SmartCell HD Container Storage Kit, w/ Pullout Shelves, Starter	24" x 20" x 72"
HST-INST-IA	SmartCell HD Container Storage Kit, w/ Pullout Shelves, Add-On	24" x 19" x 72"
HST-INST-CCS	SmartCell HD Container Storage Kit w/ Brackets, Starter	
HST-INST-CCA	SmartCell HD Container Storage Kit w/ Brackets, Add-On	



Container Storage Brackets

*Spacing between container storage brackets approximately 8

SMART CELL HD™ PEEL POUCH STORAGE KIT



SmartCell HD Container Peel Pouch Storage Kit: Comes with 2 frames, 4 crossbars, 7 - 5" H coated wire baskets on full extension slides, 36 short dividers, 10 long dividers and 150 snap and release label tags, bottom dust cover and 4 (4" H) swivel casters with brakes.

PART #	DESCRIPTION	DIMS
HST-PP-I	SmartCell HD Complete Peel Pouch Storage Kit, Starter	24" x 20" x 72"
HST-PP-IA	SmartCell HD Complete Peel Pouch Storage Kit, Add-On	24" x 19" x 72"

SMART CELL HD™ LARGE SUPPLY STORAGE KIT



SmartCell HD Large Supply Storage Kit: Comes with 4 - 54" posts, 2 - 24" x 48" wire shelves, 1 - 24" x 48" x 8" wire mesh baskets, 5 - 24" x 48" x 4" wire mesh baskets, 6 sets - 24" deep pullout slides, 4 - swivel casters(2 with brakes), 1 - 24" x 48" dust cover. Front to back and left to right dividers are not included but available for compartmentalization.

PART #	Dimensions	WEIGHT
SBU2448-6BSK	24" x 48" x 60"	185

DIVIDERS	Dimensions
SB24DIV-4	24" x 4"
SB24DIV-8	24" x 8"
SB12DIV-6	12" x 6"
SB18DIV-6	18" x 6"

SMART CELL HD™ STARTER AND ADDER FRAMES



Utilize the starter and add-on frames to create customized solutions. Refer to pg 42 for a complete list of accessories.

PART #	DESCRIPTION	DIMS
HSST-FRAME	Open Starter Frame - 2 Uprights & 4 Cross Bars	24" x 20" x 66"
HSADD-FRAME	Open Add-On Frame - 2 Uprights & 4 Cross Bars	24" x 19" x 66"

ACCESSORIES

3" Deep Basket

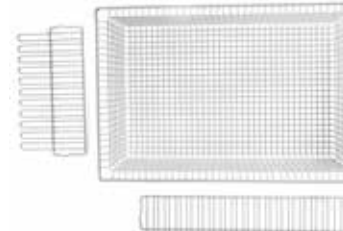
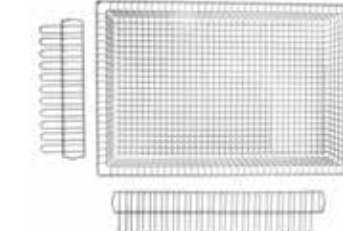
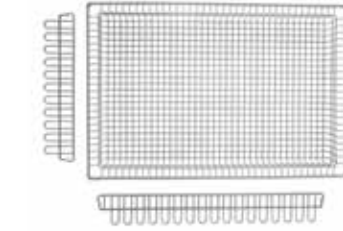
PART #	DESCRIPTION	LBS
HST3BK	3" Deep Basket 16" x 24" (600mm x 400mm)	4
HST3DV14	3" Deep Short Divider	.5
HST3DV22	3" Deep Long Divider	1

5" Deep Basket

PART #	DESCRIPTION	LBS
HST5BK	5" Deep Basket 16" x 24" (600mm x 400mm)	5
HST5DV14	5" Deep Short Divider	.5
HST5DV22	5" Deep Long Divider	1

8" Deep Basket

PART #	DESCRIPTION	LBS
HST8BK	8" Deep Basket 16" x 24" (600mm x 400mm)	6
HST8DV14	8" Deep Short Divider	.5
HST8DV22	8" Deep Long Divider	1



PART #	DESCRIPTION	LBS
HS-SS	Sloped Slide Stop	1



PART #	DESCRIPTION	LBS
HS24-SS	Two-Piece Slide Set - 22" Long	4



PART #	DESCRIPTION
HSTW-SH	Wire Container Storage Shelf – 16" x 24" (600mm x 400mm)



PART #	DESCRIPTION
HSTSLD-SH	Solid Dust Cover – 16" x 24" (600mm x 400mm)



PART #	DESCRIPTION	LBS
HSTCCBRKT	Container Storage Brackets	



PART #	DESCRIPTION	LBS
HST-4CB-MED	4" Medglide Caster w/ Brake	2

BULK PRODUCT SHELVING



- **Built for Strength and Durability – 900 lb. Capacity per shelf**
- **Shelves can be installed Sloped for gravity feed or Flat without requiring a different shelf type.**
- **Tool-Free Assembly – Adjustable in 2” Increments.**
- **Starter and Add-On Configuration.**
- **Black Powder-Coated with E-Coat – Corrosion, Chemical and Chip Resistant.**
- **10 Year warranty against rust/corrosion and 1 Year defective material / workmanship warranty.**

BULK PRODUCT SHELVING

STARTER UNIT



ADD-ON UNIT



PART NUMBER		SHELF DEPTH	SHELF WIDTH	SHELF HEIGHT	NUMBER OF SHELVES
STARTER UNIT	ADD-ON UNIT				
BCR36S-24	BCR36A-24	24	36	60	3
BCR367S-24	BCR367A-24	24	36	78	4
BCR48S-24	BCR48A-24	24	48	60	3
BCR487S-24	BCR487A-24	24	47	78	4
BCR36S	BCR36A	36	36	60	3
BCR48S	BCR48A	36	48	60	3
BCR367S	BCR367A	36	36	78	4
BCR487S	BCR487A	36	48	78	4

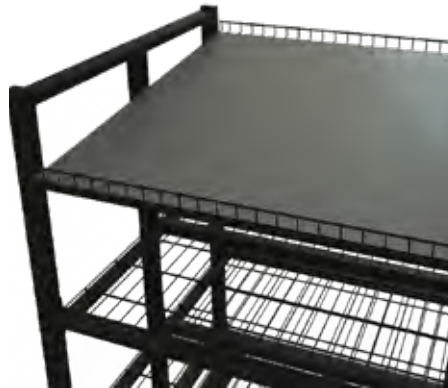
BULK PRODUCT SHELVING

ROLLER MATS



DIVIDERS

GLIDE SHEETS



CLEAR FRONT RAIL

LABEL HOLDERS

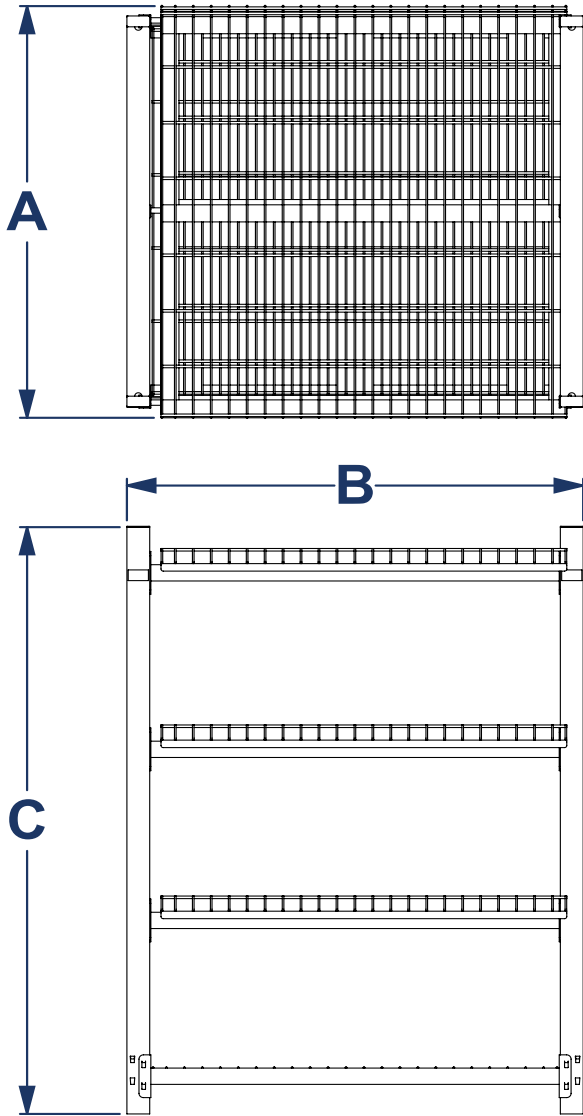


TALL PRODUCT STOP



	24 X 36	24 X 48	36 X 36	36 X 48
GLIDE SHEET	RKM-2536K	RKM-2548K	RKM-3736K	RKM-3748K
ROLLER MAT	SRMC3624-BLK	SRMC4824-BLK	SRMC3636-BLK	SRMC4836-BLK
CLEAR FRONT RAIL	SFR-336-H	SFR-348-H	SFR-336-H	SFR-348-H
TALL BOTTLE STOP	BCR36G	BCR48G	BCR36G	BCR48G
ROLLER MAT DIVIDER	SDM324-BLK	SDM324-BLK	SDM336-BLK	SDM336-BLK
STANDARD DIVIDER	BCR24DV	BCR24DV	BCR36DV	BCR36DV
STANDARD SHELF LABEL HOLDER	CFLHB36B	CFLHB48B	CFLHB36B	CFLHB48B
BOTTOM MAGNETIC LABEL HOLDER	BCRLHM36B	BCRLHM48B	BCRLHM36B	BCRLHM48B

BULK PRODUCT SHELVING



ACTUAL OUTSIDE DIMENSIONS			
PART NUMBER	A	B	C
BCR36S-24	26	40	60
BCR36A-24	26	38	60
BCR367S-24	26	40	78
BCR367A-24	26	38	78
BCR48S-24	26	52	60
BCR48A-24	26	50	60
BCR487S-24	26	52	78
BCR487A-24	26	50	78
BCR36S	38	40	60
BCR36A	38	38	60
BCR367S	38	40	78
BCR367A	38	38	78
BCR48S	38	52	60
BCR48A	38	50	60
BCR487S	38	52	78
BCR487A	38	50	78

TECHNIBILT WARRANTY

Equipment Warranty

Technibilt equipment is warranted to be free from defective material and workmanship under normal use and service for a period of one (1) year from date of shipment to the initial customer. During this period, Technibilt will repair or replace at its option without charge, FOB plant of manufacture, the equipment or any part thereof when factory inspection discloses to be defective. Shipments of defective material for repair must be sent prepaid. All export taxes, fees and duties occurring from warranty shipments beyond the continental United States will be the customer's responsibility.

Limited Warranty

Technibilt's finish- CHROME (CH) is warranted against the spread of corrosion or rust for a period of one (1) year from purchase date by the initial owner and is prorated.

Technibilt's finish-Duro Seal (PW) is warranted against the spread of corrosion or rust for a period of sixteen (16) years from the purchase date by the initial owner and is prorated.

The above warranties will be honored based on the following conditions:

- The equipment should be cleaned with only mild detergents.
- The use of abrasive materials (i.e.: stiff brushes or scrapers) will invalidate this warranty, as will physical damage rupturing the coating, or sustained exposure to corrosive substances and vapors.

Technibilt, Ltd. shall not be responsible for : (a) any consequential or incidental damages of any nature whatsoever; (b) normal wear and tear; or (c) the cost of outside labor for removal of defective component parts, except as to be authorized by Technibilt, Ltd. in writing. All component parts claimed to be defective must be retained for inspection by Technibilt, Ltd. which reserves the right to require that such parts be shipped back to its factory, warranty service department or other location designated by Technibilt, Ltd.



This warranty shall not apply to:

- (a) products altered or repaired by other than authorized service representatives or with other than Technibilt, Ltd. replacement parts; (b) products subjected to misuse, abuse or neglect; (c) products damaged by improper use or applications or (d) products that have not been properly maintained.

Written notification of claim under this warranty must be received by Technibilt, Ltd.'s warranty service department, Technibilt, Ltd. PO Box 310 Newton, NC, 28658, within thirty (30) days after the appearance of the claimed defect. Such notification must provide all pertinent information regarding the claim.

No cause of action or claim may be asserted unless it is covered by either one (1) year limited warranty or of sixteen (16) year limited warranty.

Technibilt, Ltd. makes no other warranties other than foregoing, which is in lieu of all warranties, express or implied, including but not limited to any warranty of merchantability or fitness for a particular purpose.

TERMS & CONDITIONS

Acceptance

All orders are subject to acceptance of terms and conditions of sale, regardless of the form in which submitted. All orders are subject to price prevailing at date of shipment and are quoted F.O.B. Newton, North Carolina. Custom manufactured products may be subject to a deposit at the time of order.

Order Confirmation

To avoid duplication of shipment the word "CONFIRMATION" or "CONFIRMING" should appear on all documents which are sent to confirm orders placed by telephone, fax or any other way.

Terms

No Minimum Order Requirements. Terms are Net 30 days (subject to credit approval). A service charge of 2% per month will be assessed on past due accounts.

Shipments

Shipments will be made F.O.B. shipping point and the buyer assumes responsibility for all damages in transit.

Unless a preferred routing is specified at the time of order, shipment will be made the best way, transportation prepaid and added to invoice.

Damages and Claims

ORDER INSPECTION AND VERIFICATION

Any claims for shortages or damages suffered in transit are the responsibility of the buyer and shall be submitted directly to the carrier. Shortages or damages must be identified and signed for at the time of delivery. Each shipment has a bill of lading and a packing list. The bill of lading identifies the total number of cartons or pieces and the packing list identifies the individual items shipped. Before signing for a delivery, it is the customer's responsibility to inspect the delivery for correct item count and condition.

Look for the following:

- Torn or punctured boxes or shrink wrap
- Broken or crushed corners
- Broken pallets
- Stacks that shifted on the pallet
- Verify that the packing slip matches the items received in the shipment

EXTERIOR AND CONCEALED DAMAGES

If there is visible damage, the shipment should be refused and the delivery receipt should be marked "refused due to damage." If an order shows rough handling, it is the consignee's right and responsibility to inspect the merchandise prior to signing the delivery receipt. Occasionally, damage is not discovered until after the carrier has departed. Upon finding concealed damage after delivery, notify the carrier immediately to address the issue and file a claim. All packaging material should be saved for a follow up inspection by the carrier.

SHORTAGES

All shortage claims must be brought to Technibilt's attention within five (5) business days from date merchandise is received. Please be certain that you receive the number of packages signed for. Again, the bill of lading identifies the total number of cartons or pieces and the packing list identifies the individual items shipped. Before signing for a delivery, it is the customer's responsibility to inspect the delivery for correct item count.

Returned Goods Policy

1. All returns must be authorized.
2. Each request must include the following information:
 - A. Customer name and address.
 - B. Invoice number.
 - C. Invoice date.
 - D. Customer P.O. Number.
 - E. Quantity, catalog number and description of item.
 - F. Reason for return.
3. Upon receipt of your request, a return authorization number will be issued and this must be clearly referenced with your return.

TERMS & CONDITIONS

4. The return shipment must be coordinated with a customer service representative, who will advise the proper mode of transport for the return.
5. All returned goods may be subject to a flat 20% handling charge based on state, condition of goods and reason for return.
6. Returns will not be authorized for the following:
 - A. Items purchased on a “special order” basis (unless original vendor will accept the return).
 - B. Items that are custom manufactured.
 - C. Partial units of sale.
 - D. Items without original packaging material.
7. Returns must be prepaid and within 60 days of original shipment.

Specifications

All dimensions and shipping weights are approximate. Technibilt reserves the right to change specifications or substitute products of equal specifications without notice. The Company also reserves the right to cease manufacturing or distribution of any product without notice. Manufacturer’s specifications and prices subject to change without notice.



Wanzl worldwide

- Head Office
- Subsidiaries
- Partners

WANZL NORTH AMERICA

700 Techniblit Drive
PO Box 310
Newton, NC 28658

Phone +1 800-351-2278
Fax +1 800-968-8934

Info@wanzl.com
www.wanzl.com/NA

GERMANY

Wanzl GmbH & Co. KGaA
Rudolf-Wanzl-Straße 4
89340 Leipheim

Phone +49 (0) 82 21 / 7 29-0
Fax +49 (0) 82 21 / 7 29-1000

Info@wanzl.com
www.wanzl.com